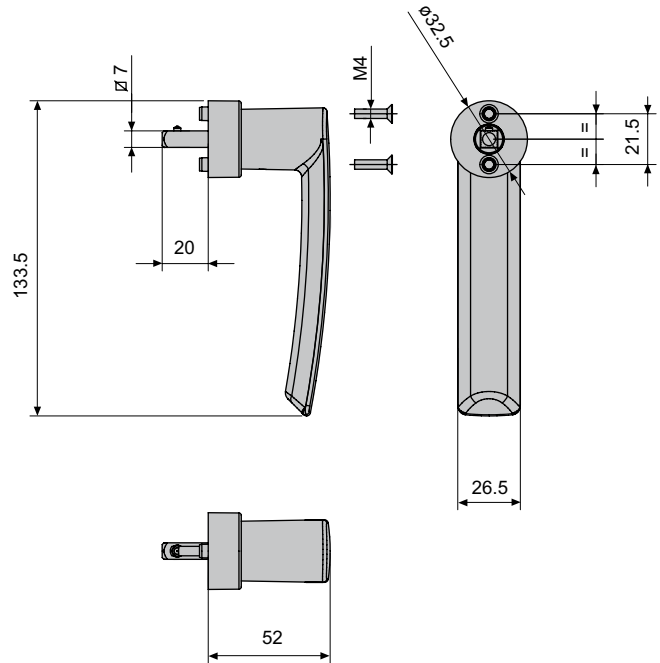
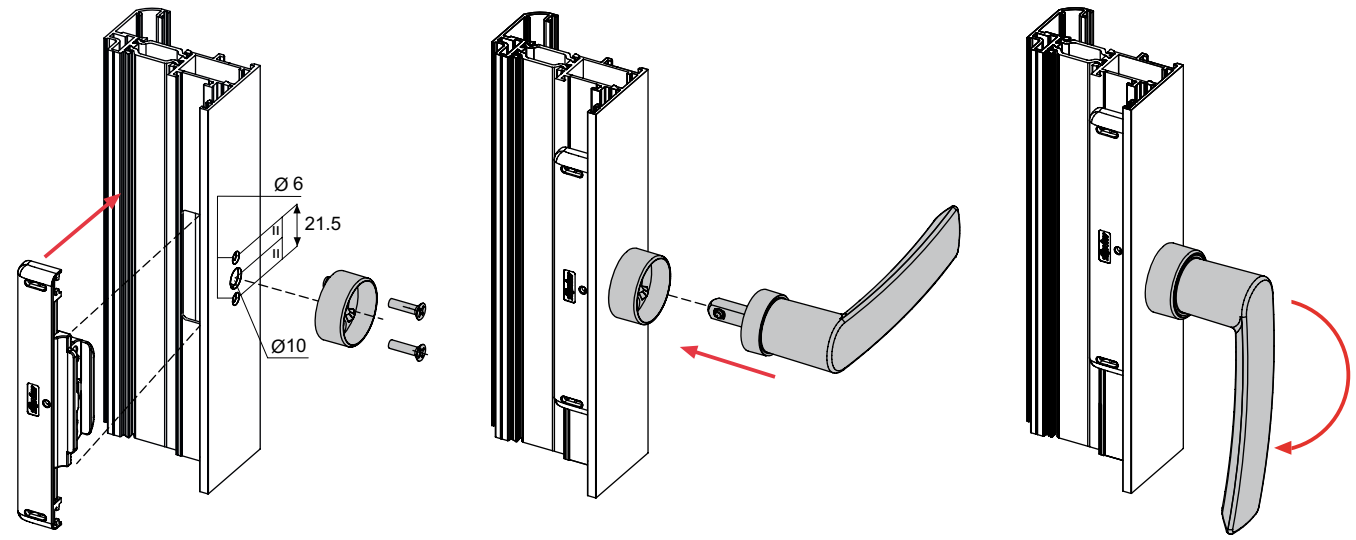


0500A

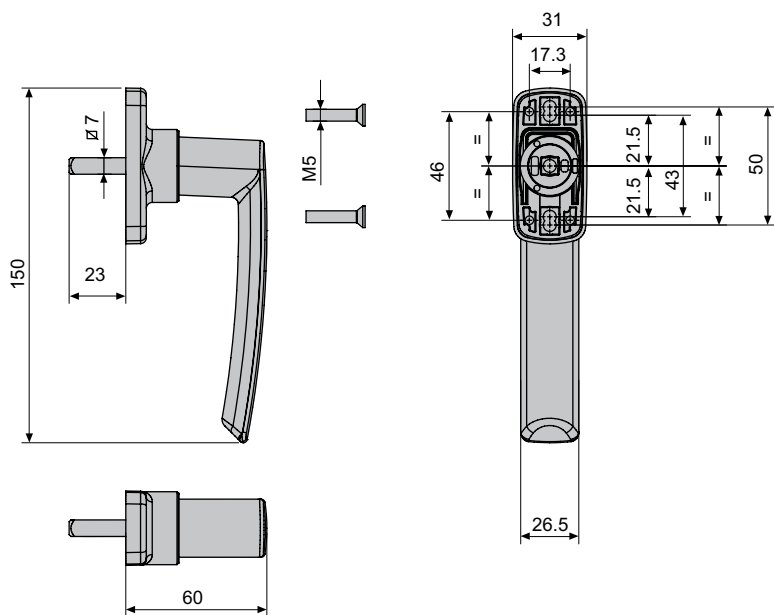


| | | |
|-------|----|----|
| | | |
| 0500A | 43 | 10 |



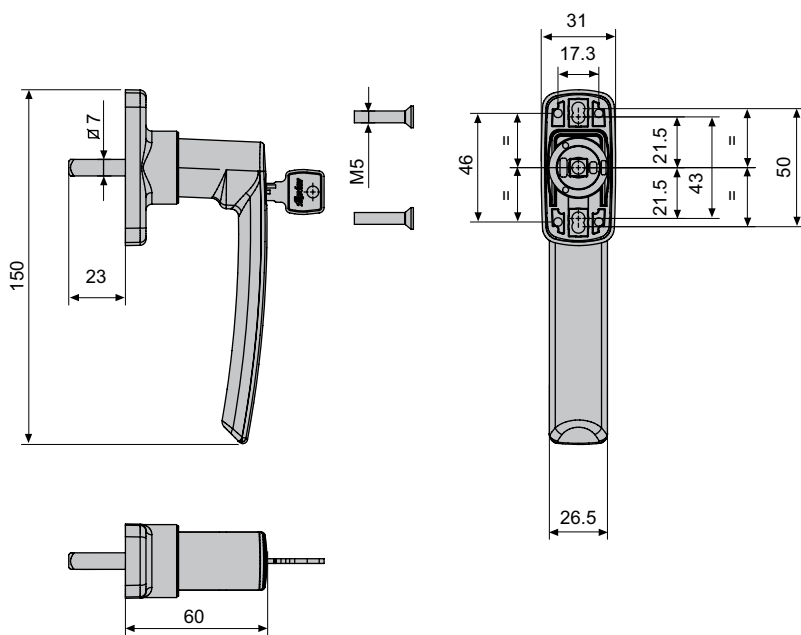
Art.0520

0510A

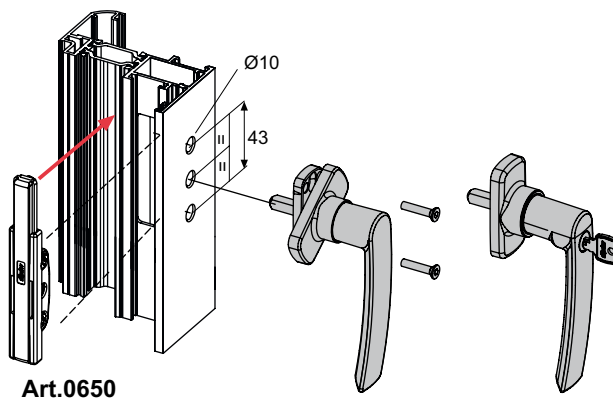
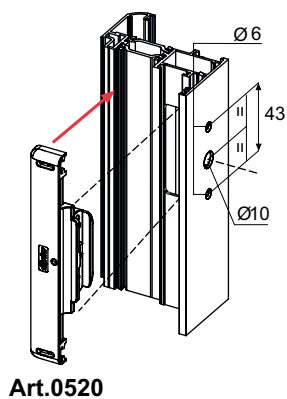


| | | |
|-------|----|----|
| | | |
| 0510A | 43 | 10 |

0511A



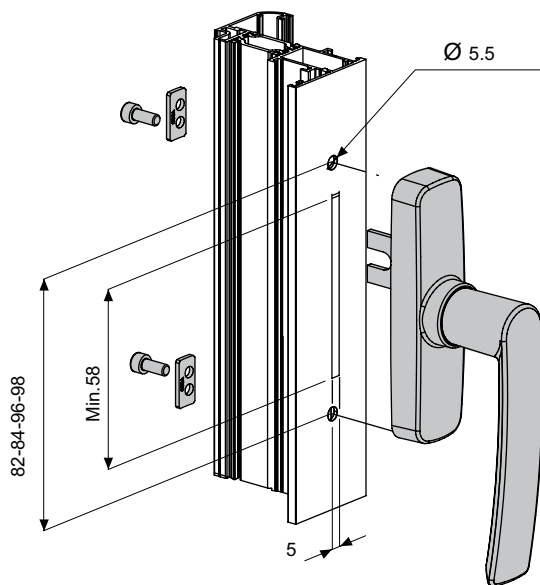
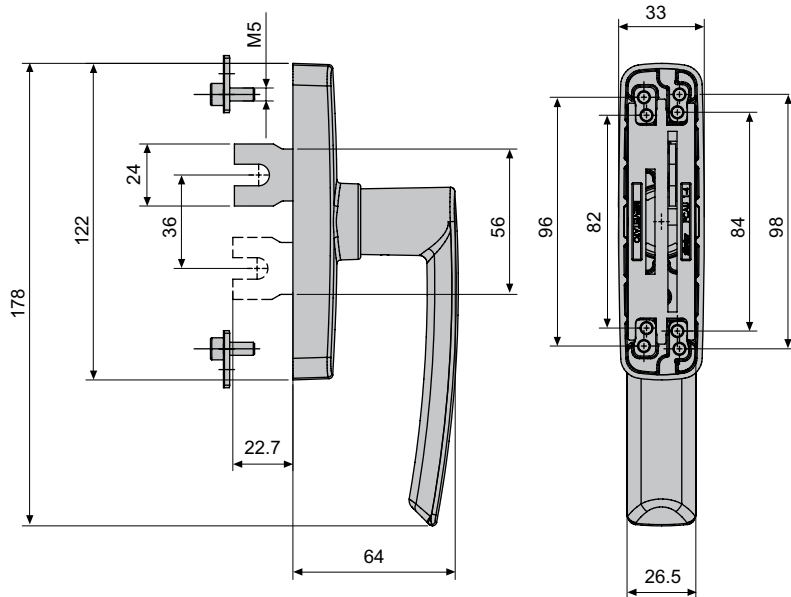
| | | |
|-------|----|----|
| | | |
| 0511A | 43 | 10 |

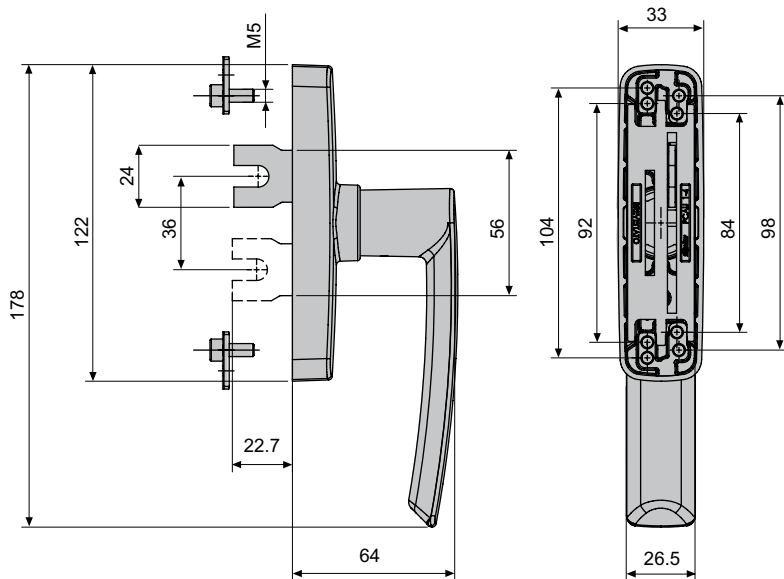


0530Ai





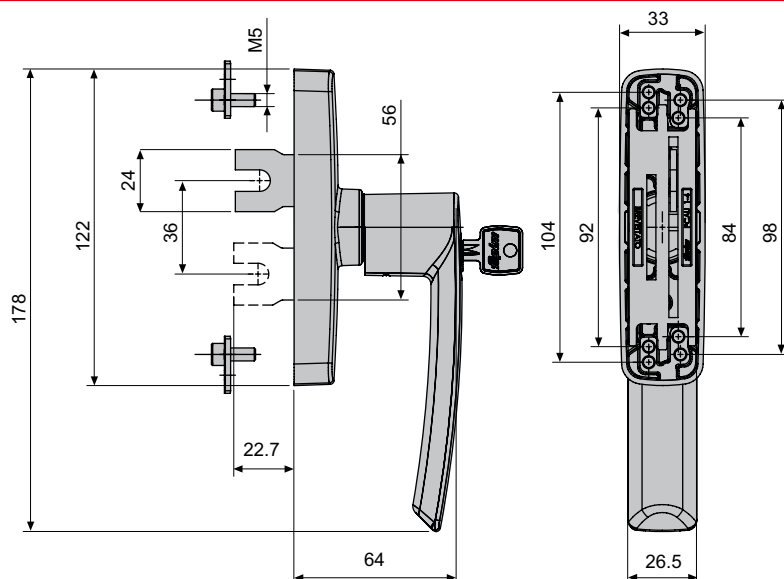
| | | |
|--------|-------------|----|
| 0530Ai | 82-84-96-98 | 50 |
|--------|-------------|----|



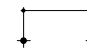



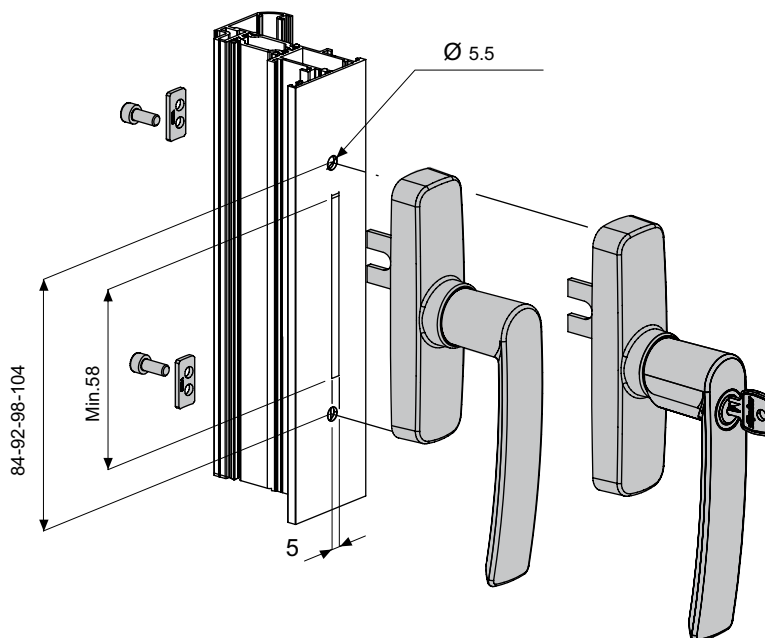
0530B
0530Bi

| | | |
|--------|---|---|
| |  |  |
| 0530B | 84-92-98-104 | 10 |
| 0530Bi | | 50 |

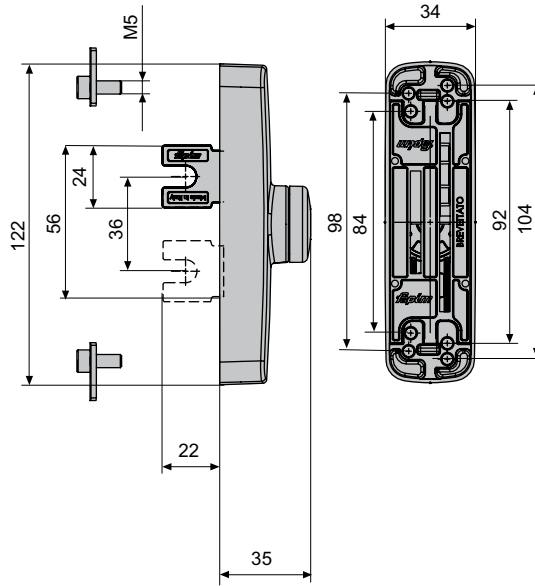


0531B

| | | |
|-------|---|---|
| |  |  |
| 0531B | 84-92-98-104 | 10 |

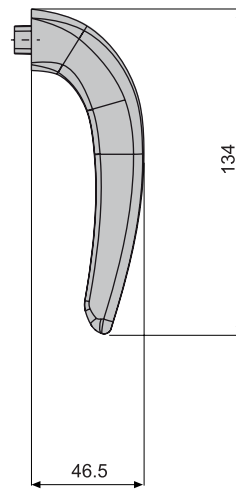


0532B

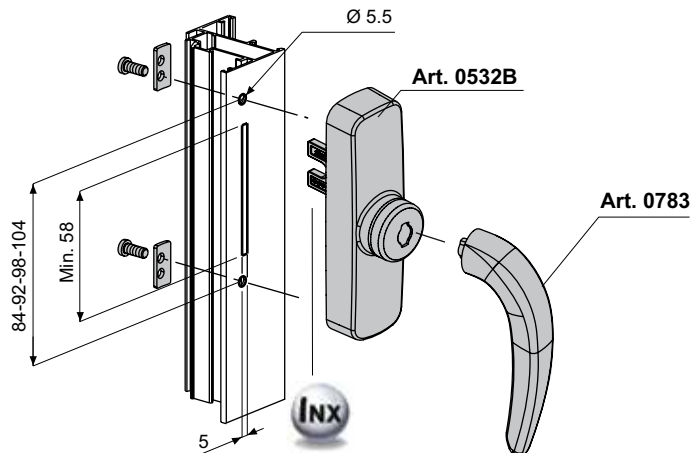


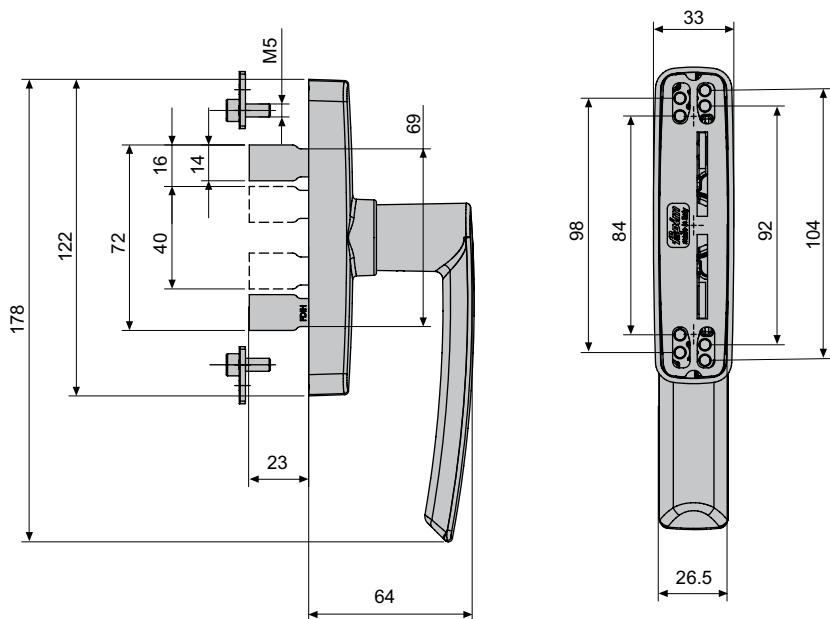
| | | |
|-------|--------------|----|
| | | |
| 0532B | 84-92-98-104 | 10 |

0783



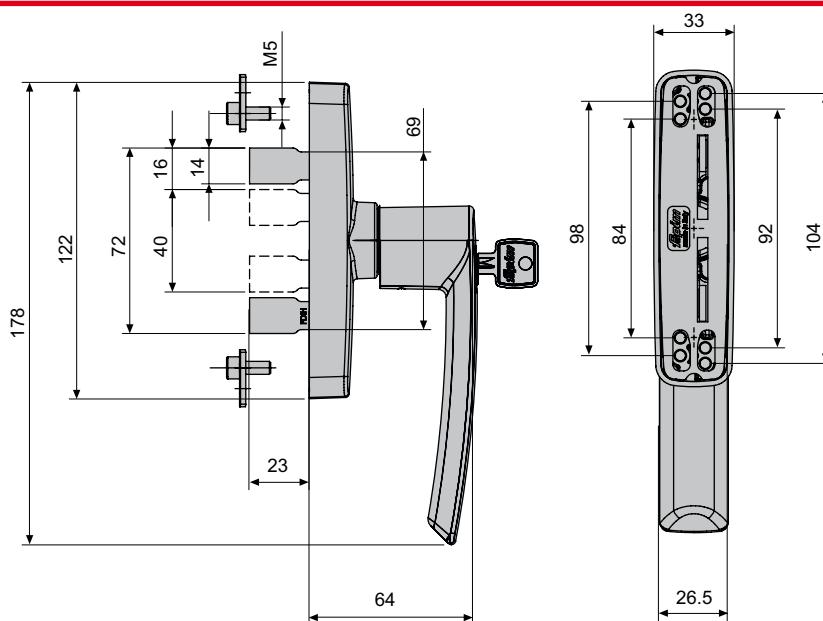
| | | |
|------|--|----|
| | | |
| 0783 | | 10 |





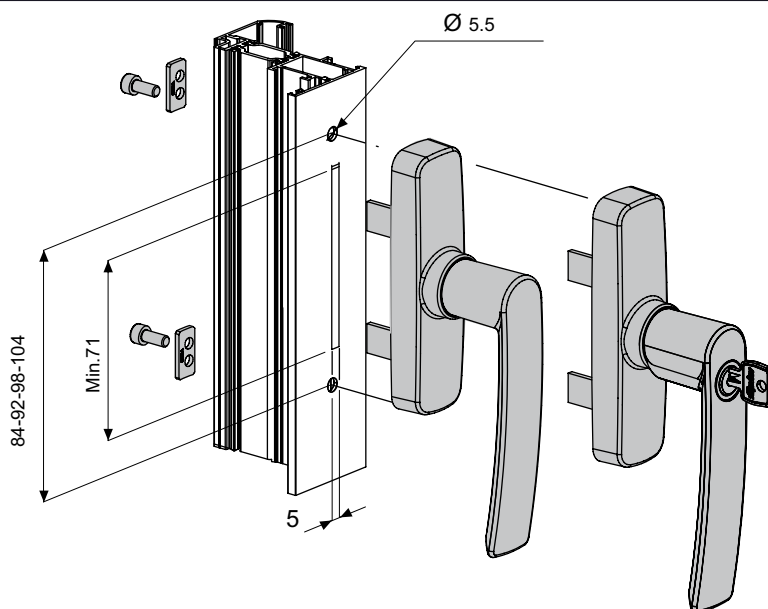
0540B
0540Bi

| | | |
|--------|--------------|----|
| | | |
| 0540B | 84-92-98-104 | 10 |
| 0540Bi | | 50 |

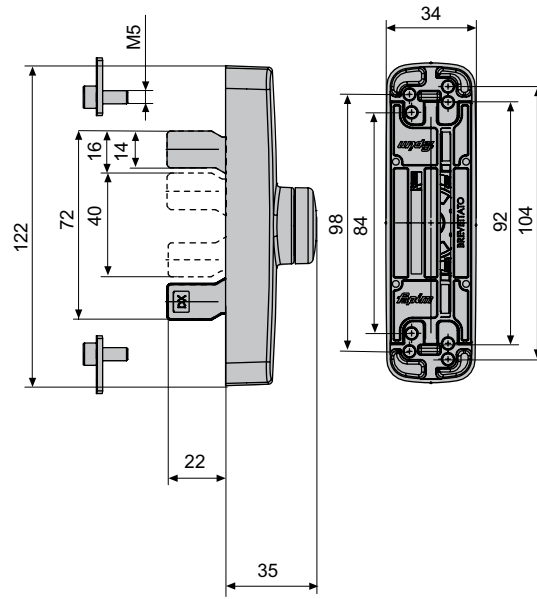


0541B

| | | |
|-------|--------------|----|
| | | |
| 0541B | 84-92-98-104 | 10 |

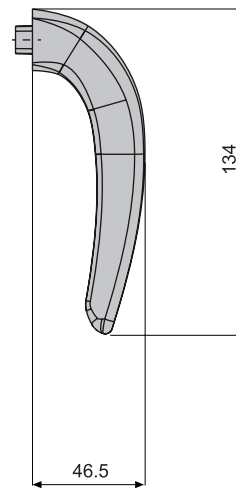


0542B

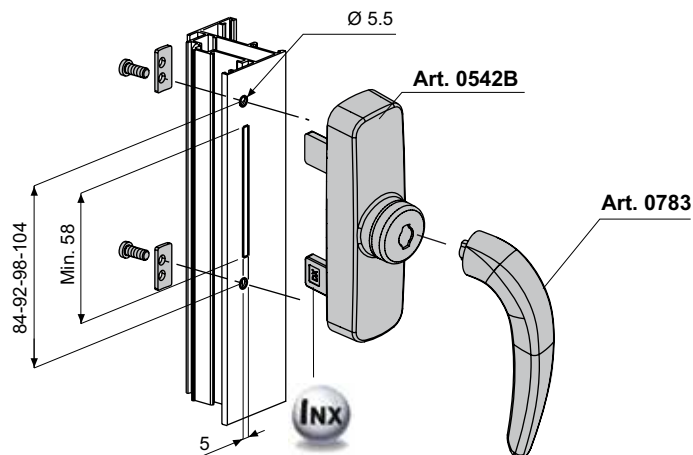


| | | |
|-------|--------------|----|
| | | |
| 0542B | 84-92-98-104 | 10 |

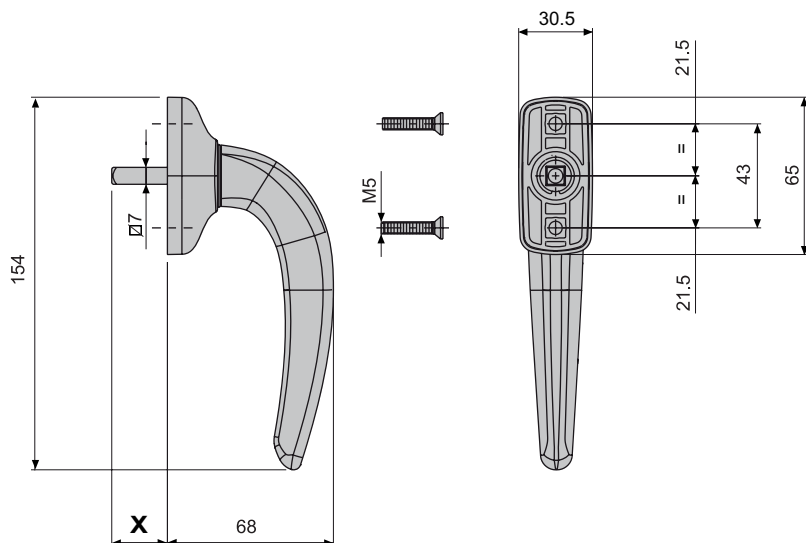
0783



| | | |
|------|--|----|
| | | |
| 0783 | | 10 |

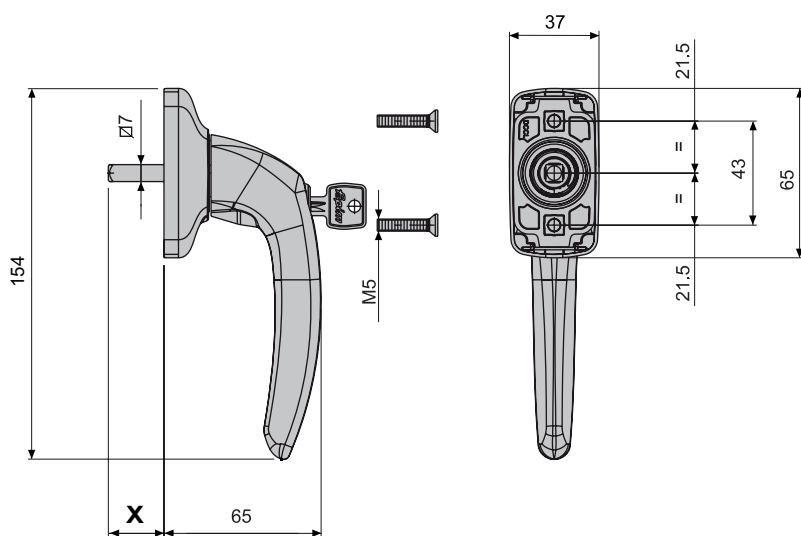


0640A
0640B

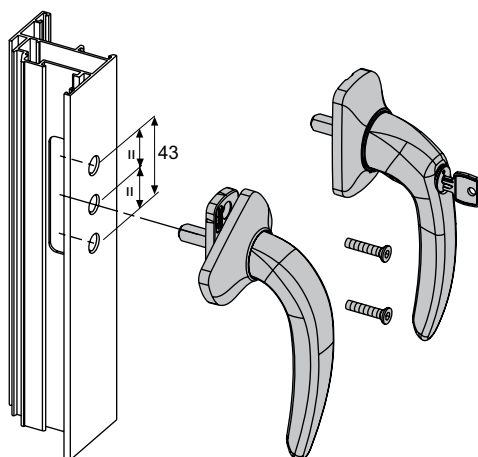


| | | X | |
|-------|----|----|----|
| 0640A | 43 | 23 | 10 |
| 0640B | 43 | 43 | |

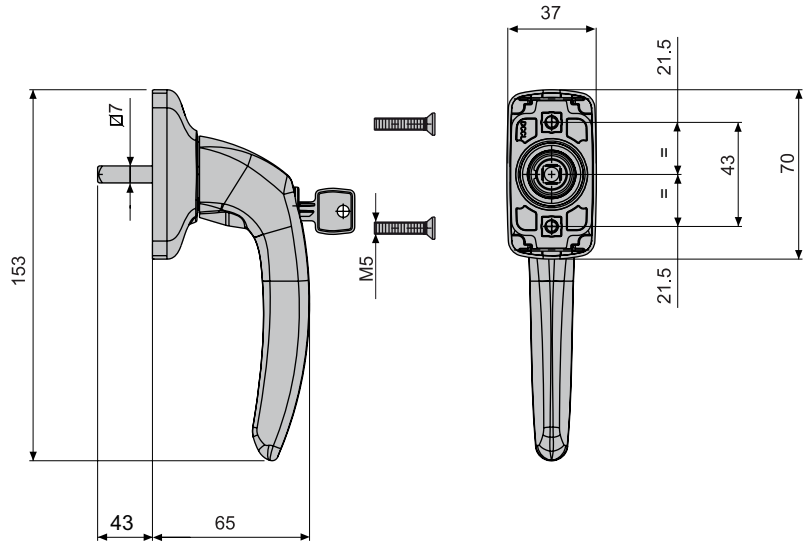
0641A
0641B



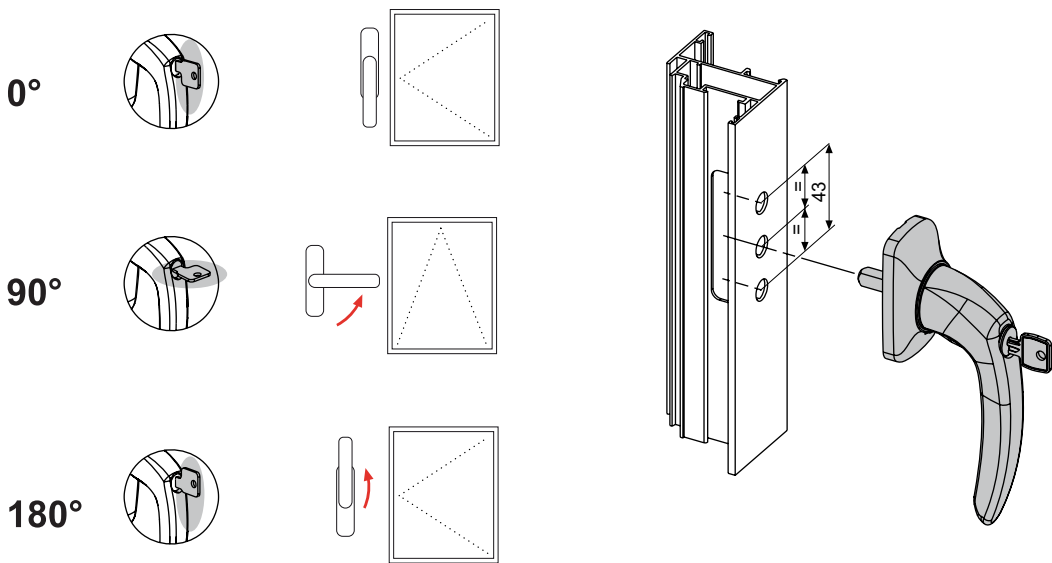
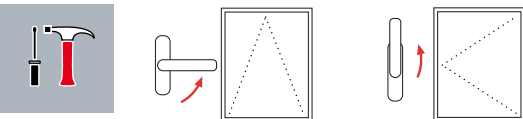
| | | X | |
|-------|----|----|----|
| 0641A | 43 | 23 | 10 |
| 0641B | 43 | 43 | |

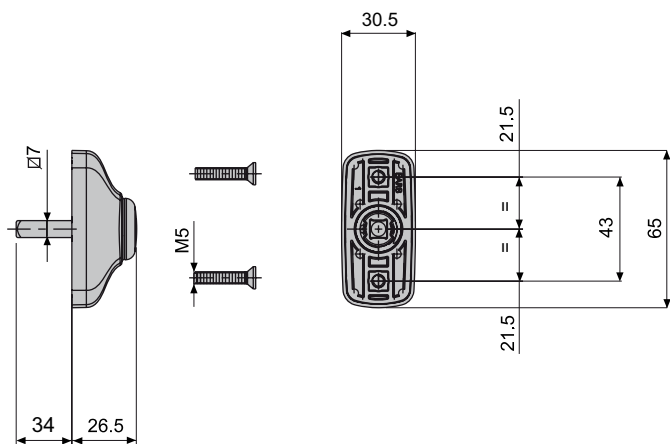


0641BZ



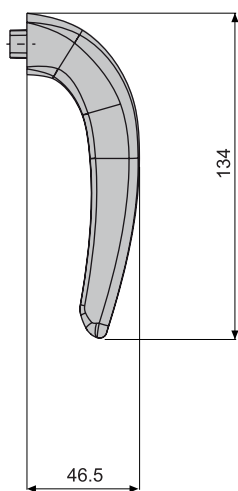
| | | |
|--------|----|----|
| | | |
| 0641BZ | 43 | 10 |





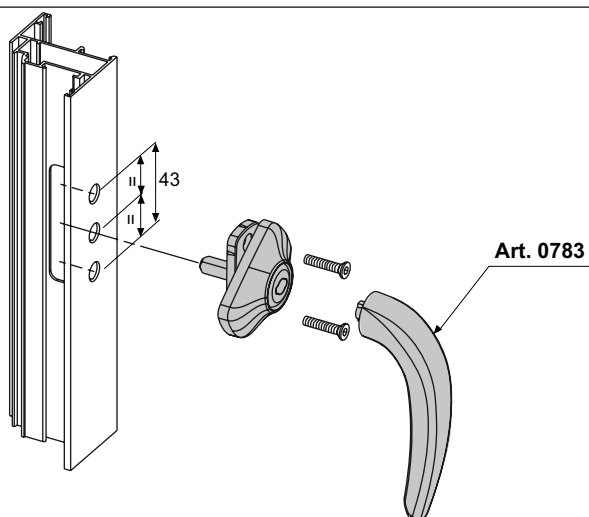
0642B

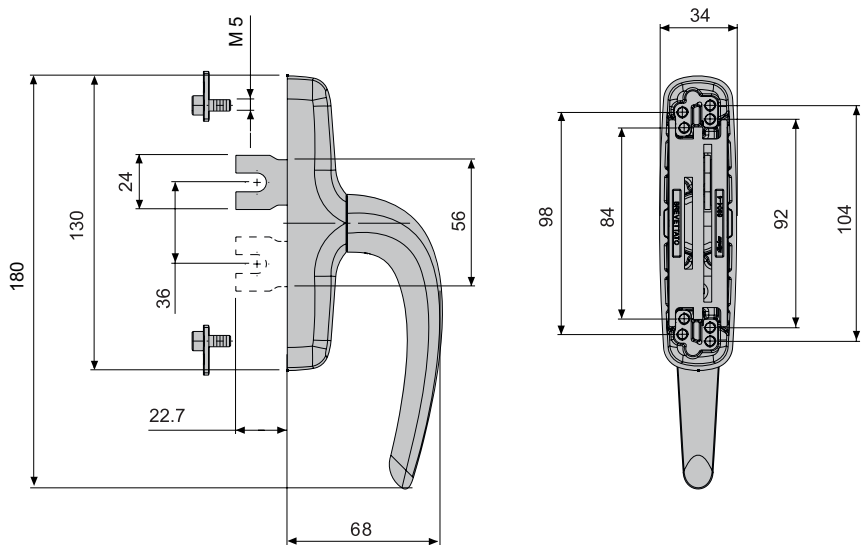
| | | |
|-------|----|----|
| | | |
| 0642B | 34 | 10 |



0783

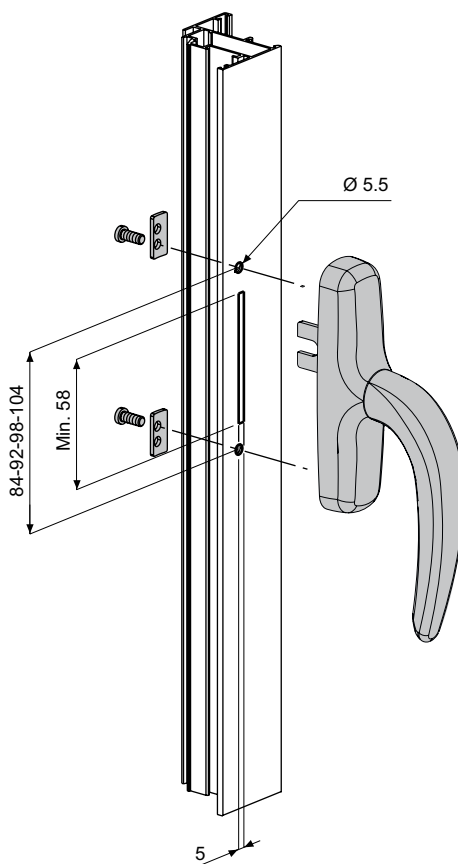
| | | |
|------|--|----|
| | | |
| 0783 | | 10 |



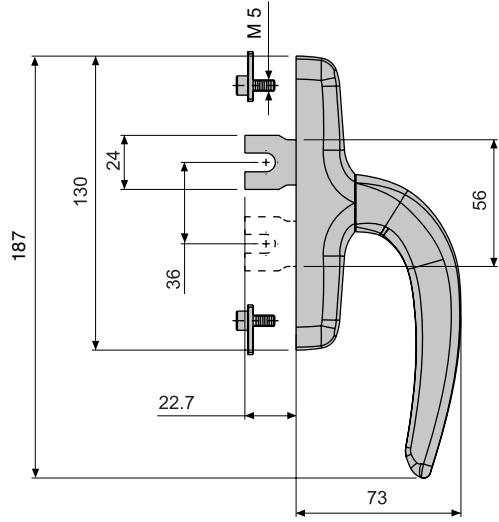


0757BI

| | | |
|--------|--------------|----|
| | | |
| 0757BI | 84-92-98-104 | 50 |

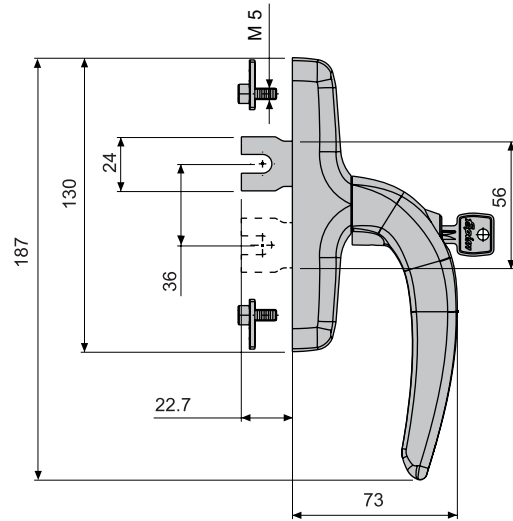


0760Ai

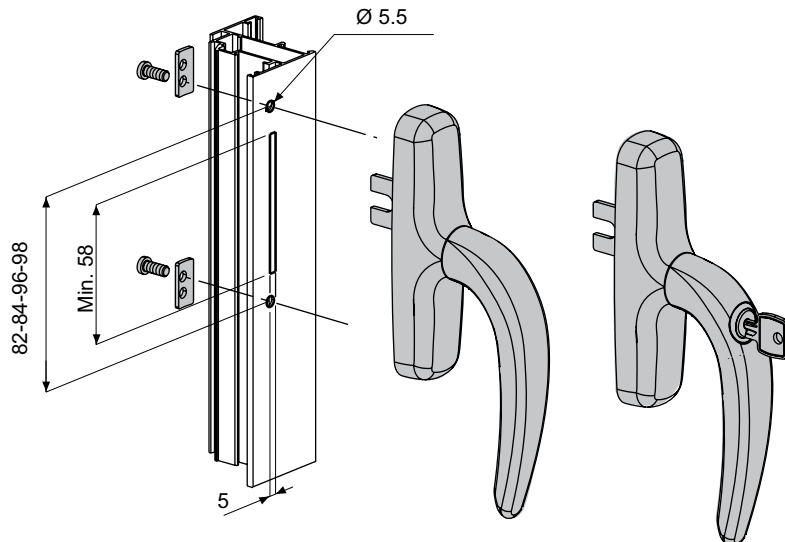


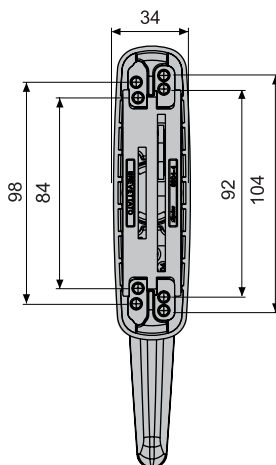
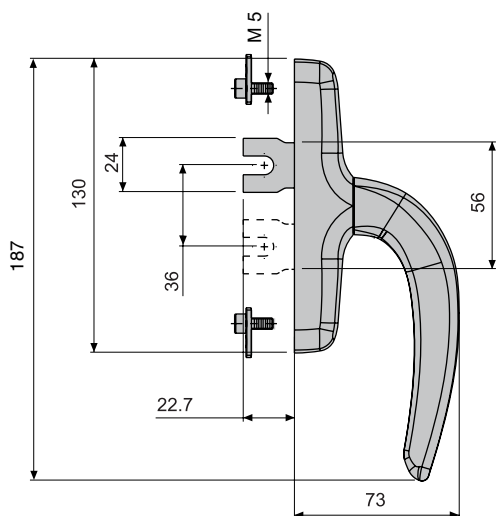
| | | |
|---------------|-------------|----|
| | | |
| 0760Ai | 82-84-96-98 | 50 |

0761A



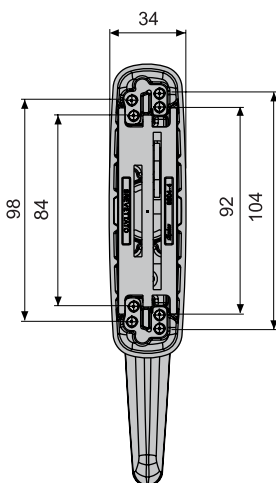
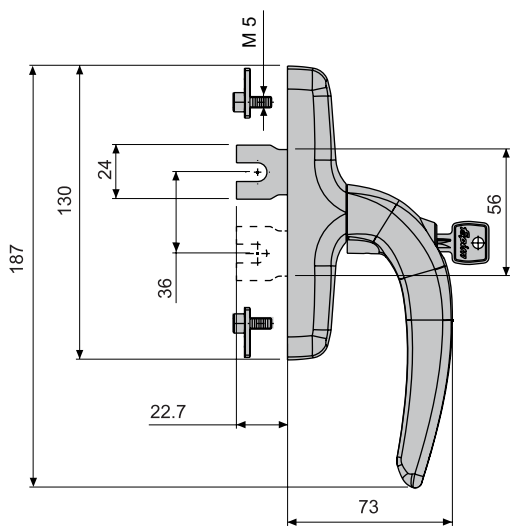
| | | |
|--------------|-------------|----|
| | | |
| 0761A | 82-84-96-98 | 10 |





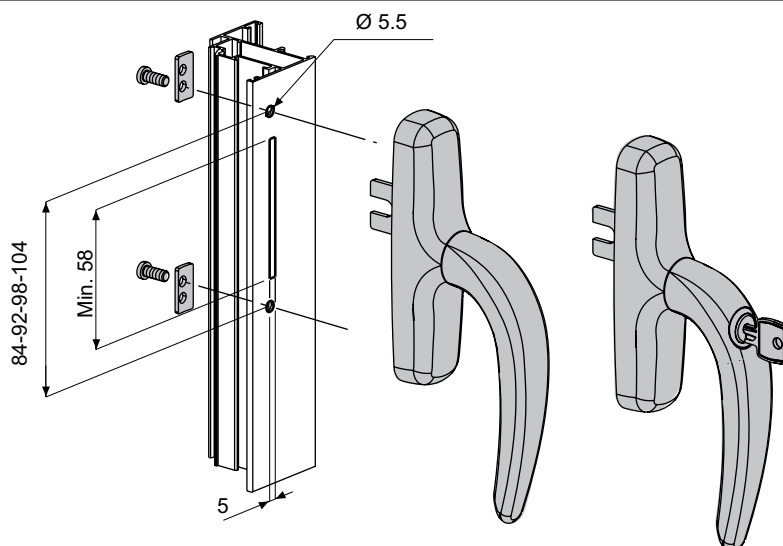
0760B
0760Bi

| | | |
|--------|--------------|----|
| | | |
| 0760B | 84-92-98-104 | 10 |
| 0760Bi | | 50 |

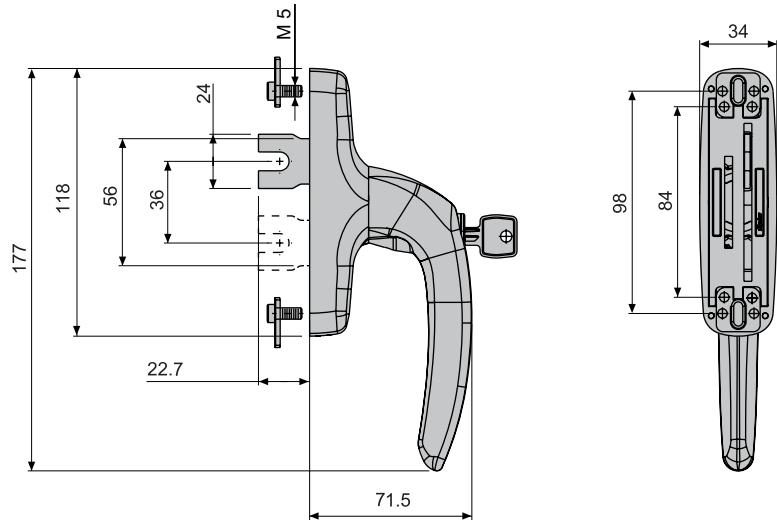


0761B

| | | |
|-------|--------------|----|
| | | |
| 0761B | 84-92-98-104 | 10 |

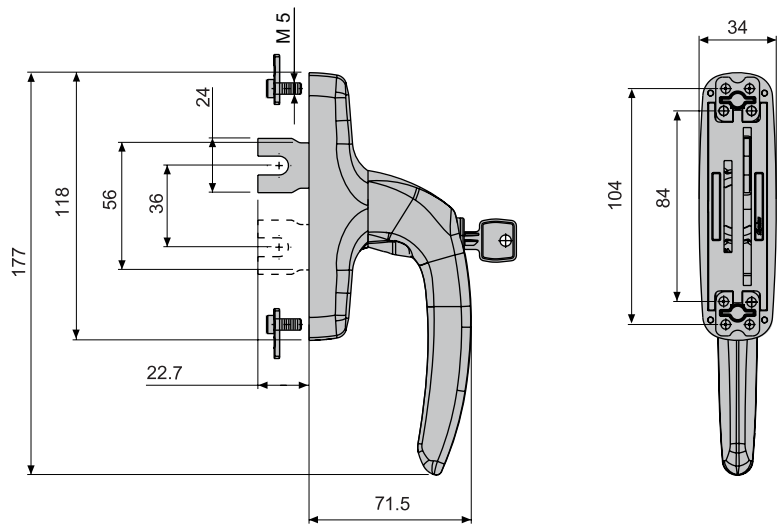


0762AZ

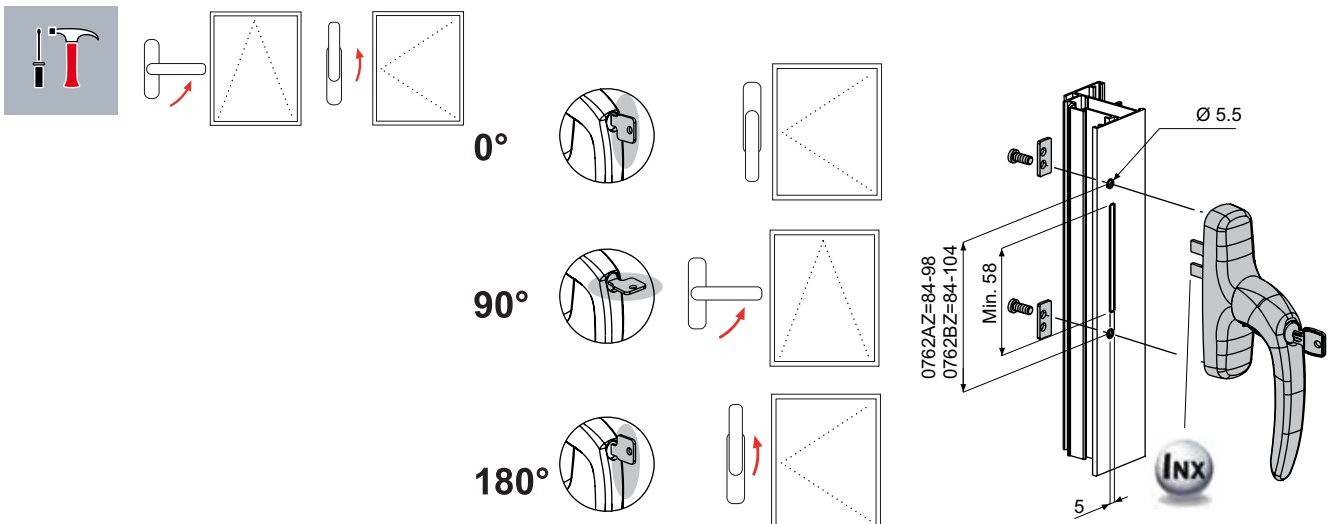


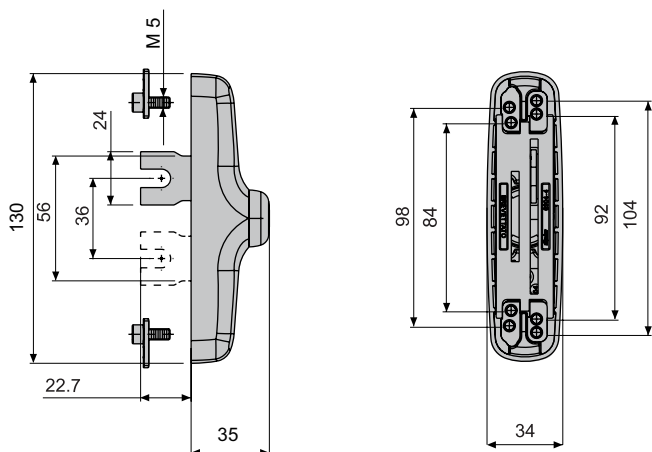
| | | |
|--------|-------|----|
| 0762AZ | 84-98 | 10 |
| | | |

0762BZ



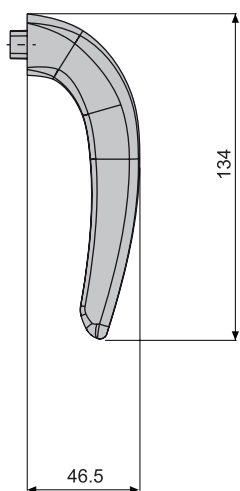
| | | |
|--------|--------|----|
| 0762BZ | 84-104 | 10 |
| | | |





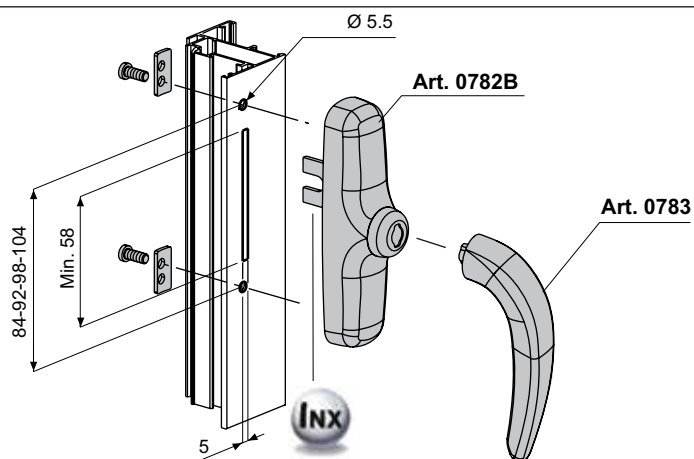
0782B

| | | | |
|-------|--------------|----|---|
| | ↕ | ↕ | ☐ |
| 0782B | 84-92-98-104 | 10 | |



0783

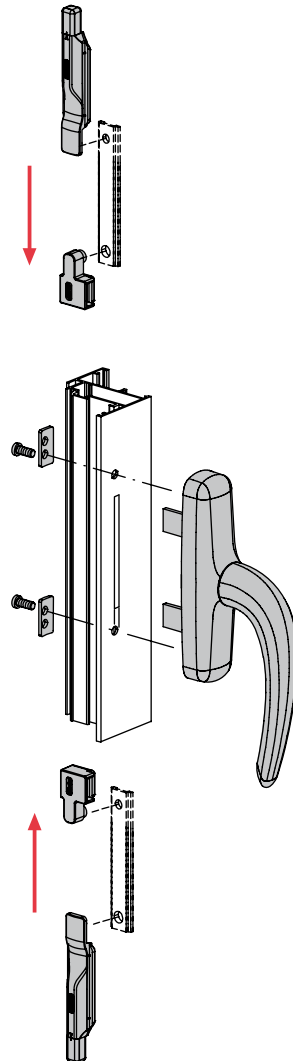
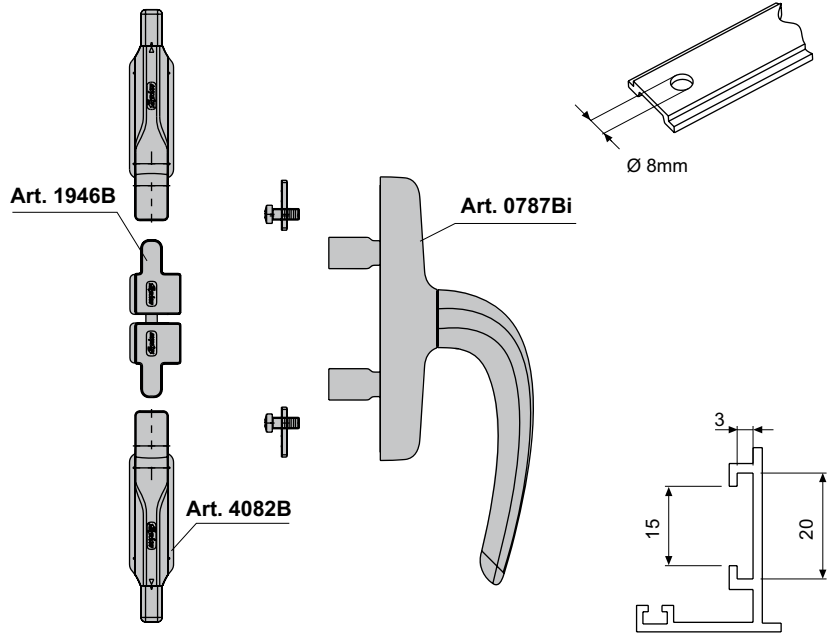
| | | |
|------|--|----|
| | | ☐ |
| 0783 | | 10 |



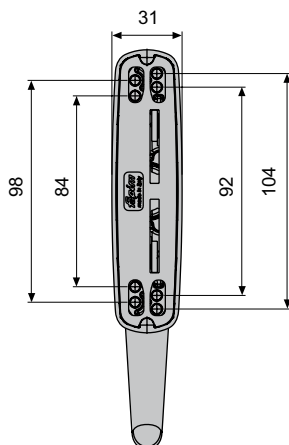
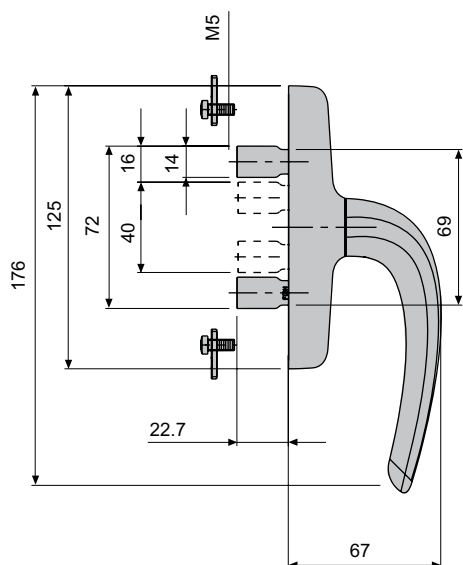
0787BBi

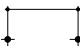



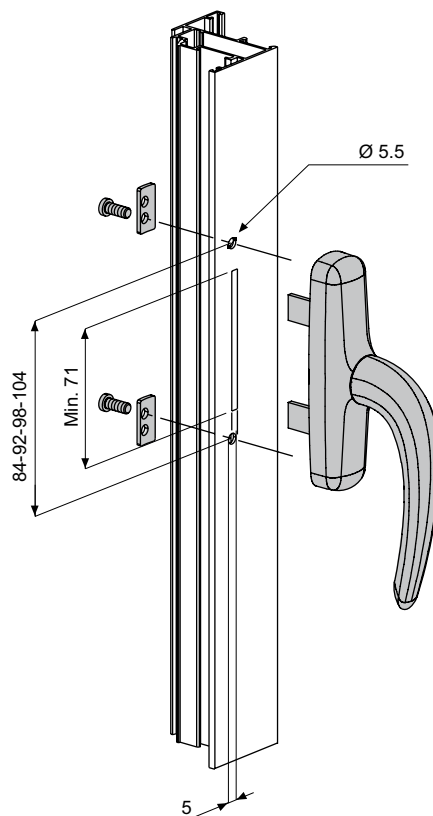
| | | |
|---------|--------------|----|
| | | |
| 0787BBi | 84-92-98-104 | 50 |



0787BI



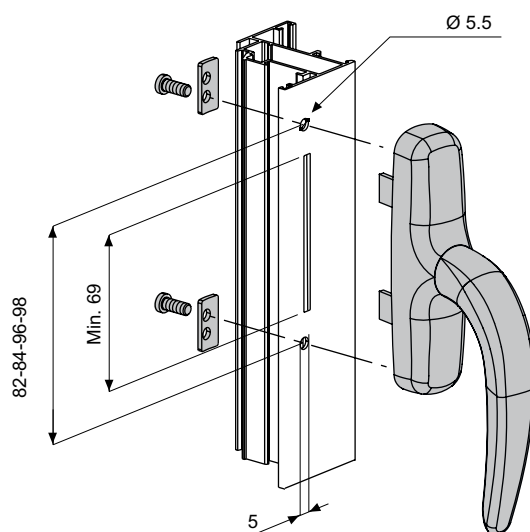
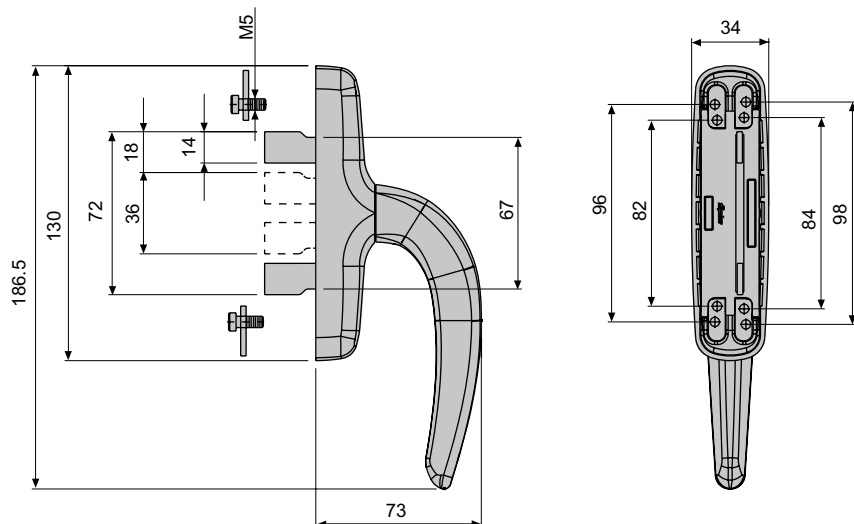
| | | |
|--------|---|---|
| |  |  |
| 0787Bi | 84-92 98-104 | 50 |



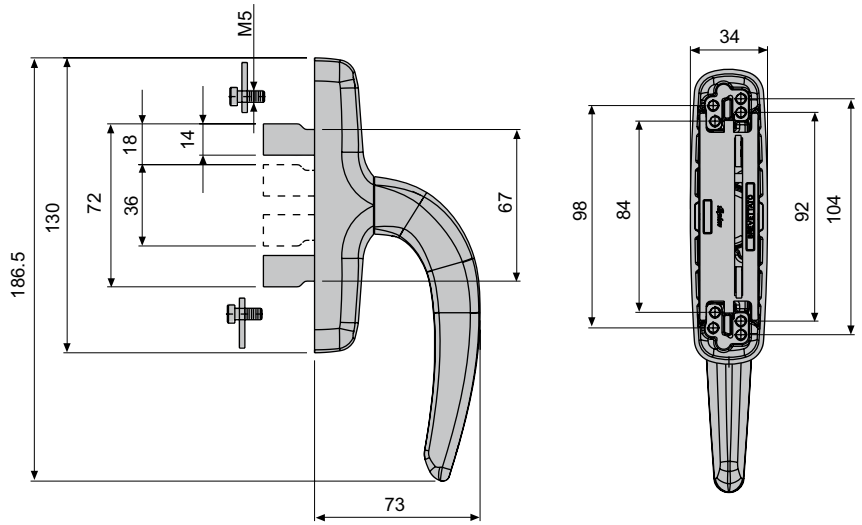
0790AI



| | | |
|--------|-------------|----|
| | | |
| 0790Ai | 82-84-96-98 | 50 |

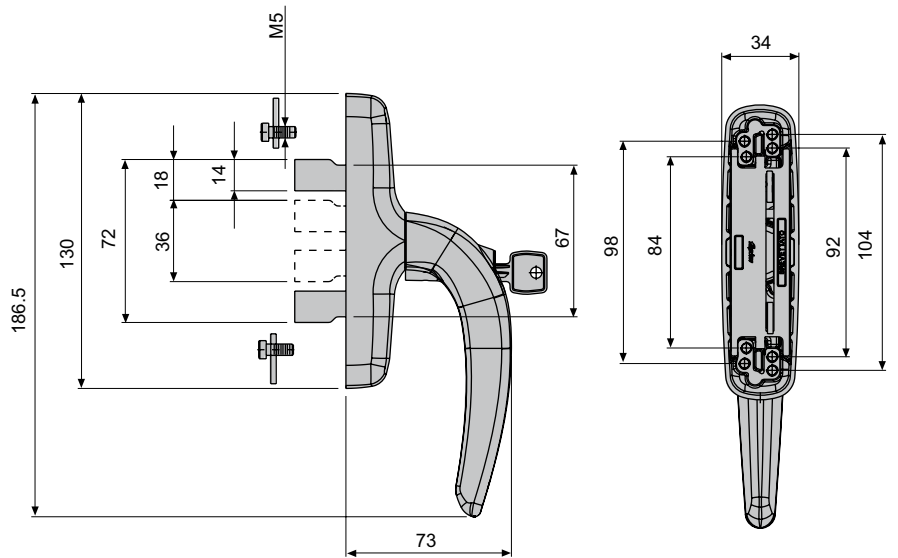


0790B
0790Bi

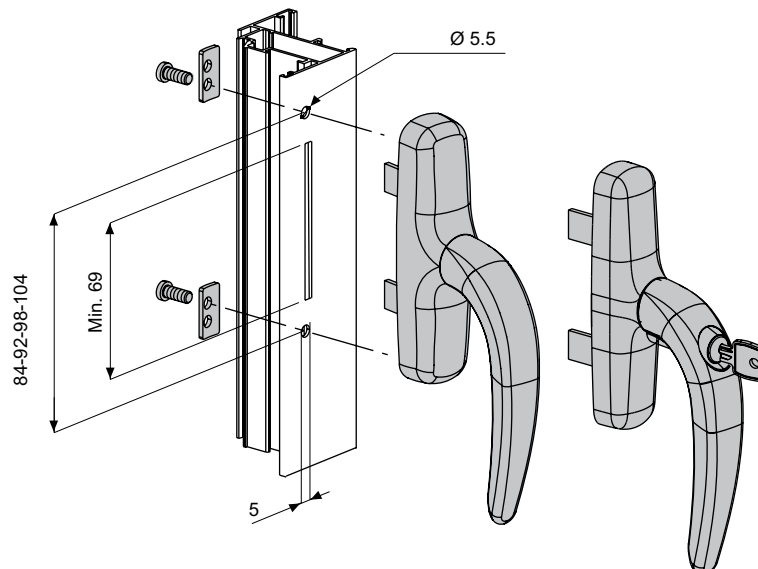


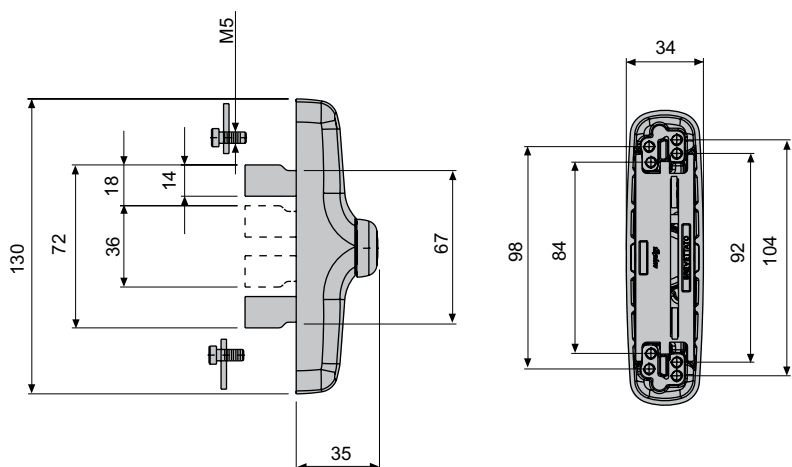
| | | |
|--------|--------------|----|
| | | |
| 0790B | 84-92-98-104 | 10 |
| 0790Bi | | 50 |

0791B



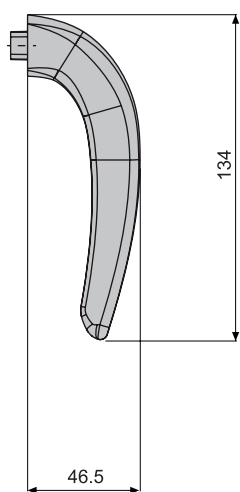
| | | |
|-------|--------------|----|
| | | |
| 0791B | 84-92-98-104 | 10 |





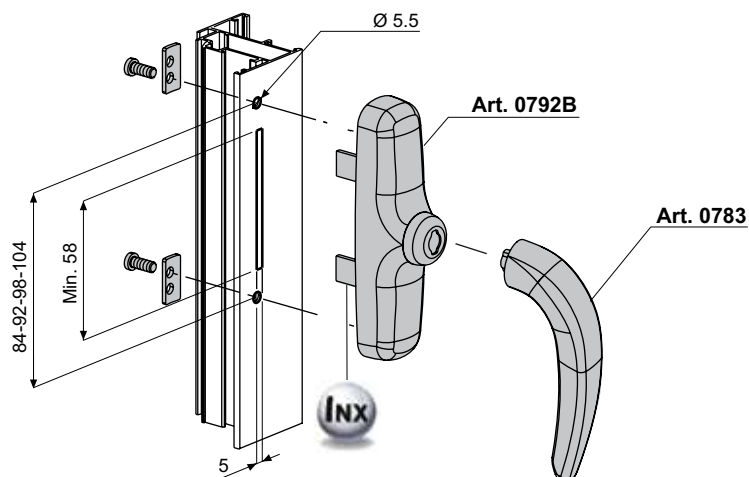
0792B

| | | |
|-------|--------------|----|
| | | |
| 0792B | 84-92-98-104 | 10 |

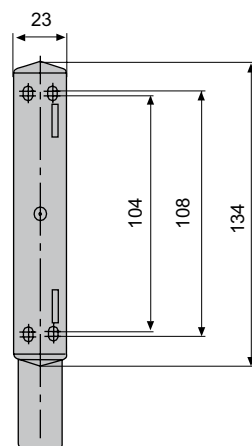
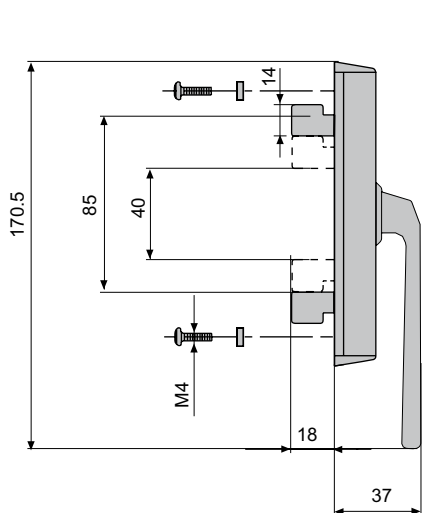


0783

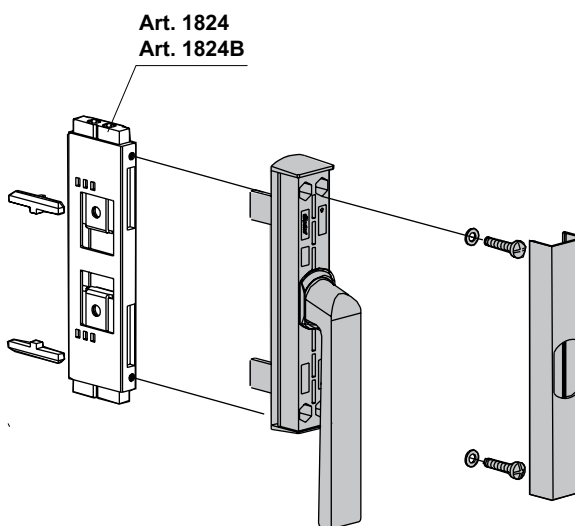
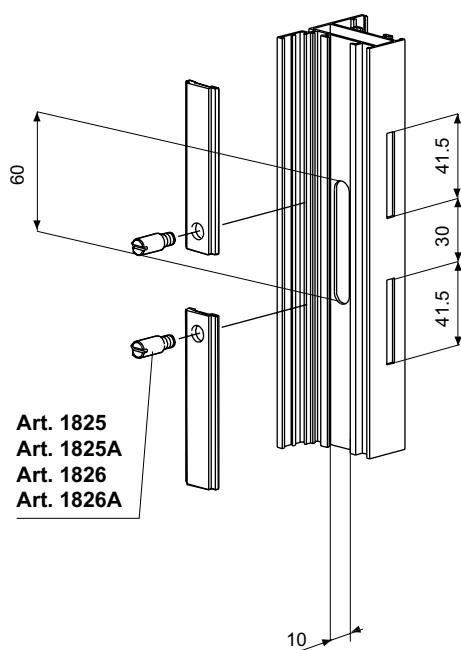
| | | |
|------|--|----|
| 0783 | | 10 |
|------|--|----|



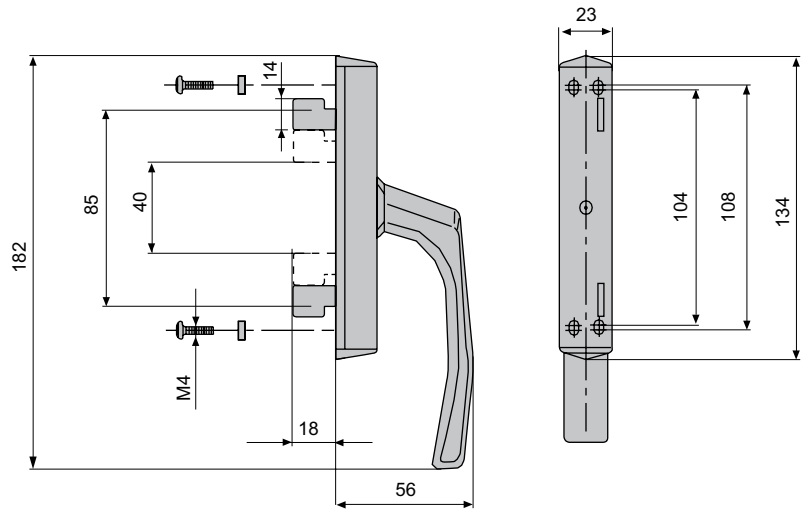
1818



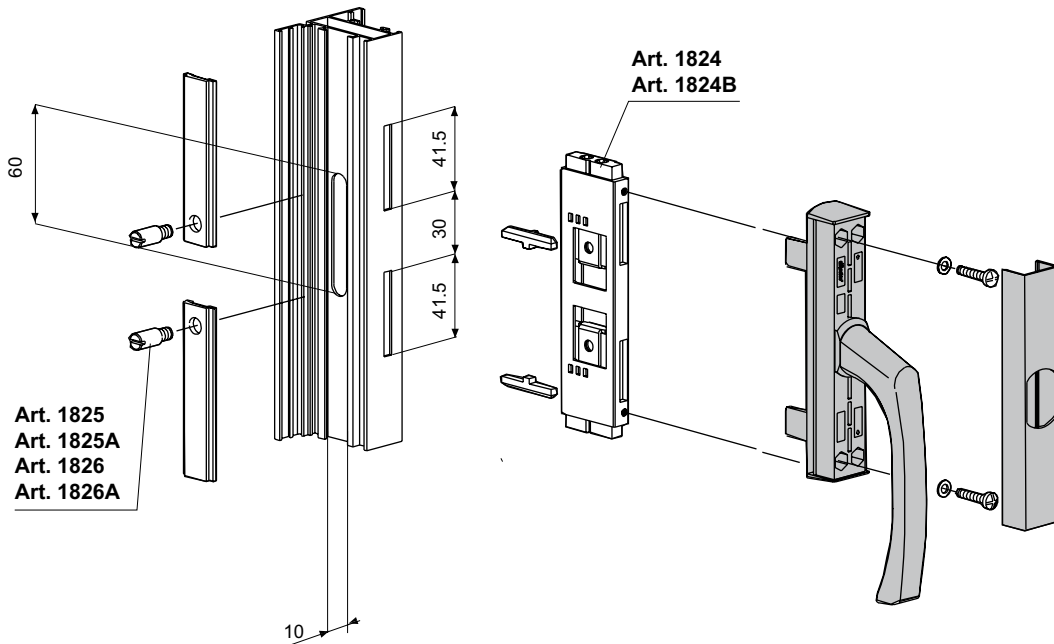
| | | |
|------|---------|----|
| | | |
| 1818 | 104-108 | 20 |

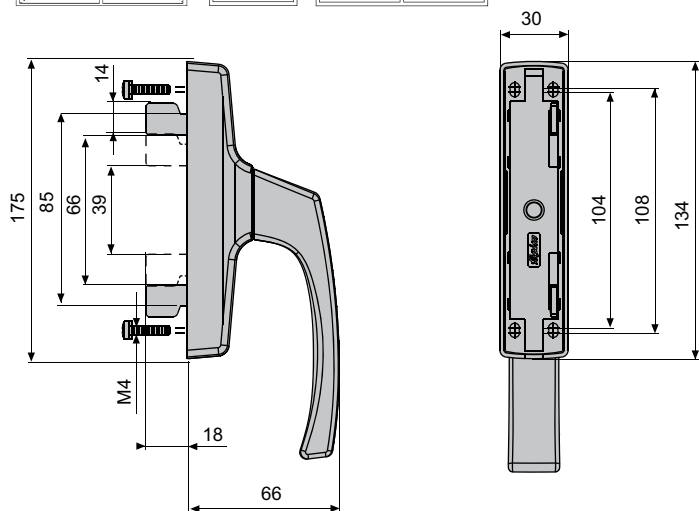
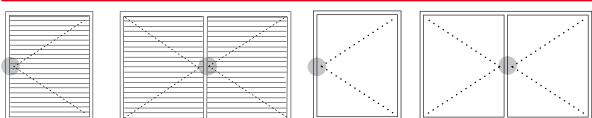


1830



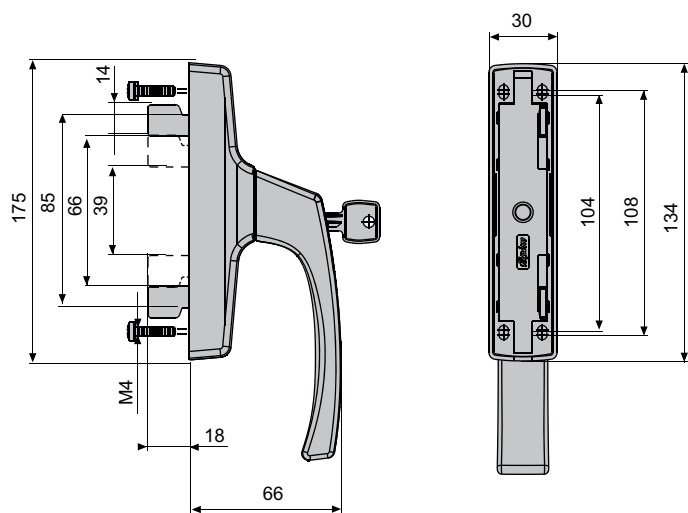
| | | | |
|------|---------|---------------|----|
| 1830 | 104-108 | 1824 1824B | 10 |
| | | | |





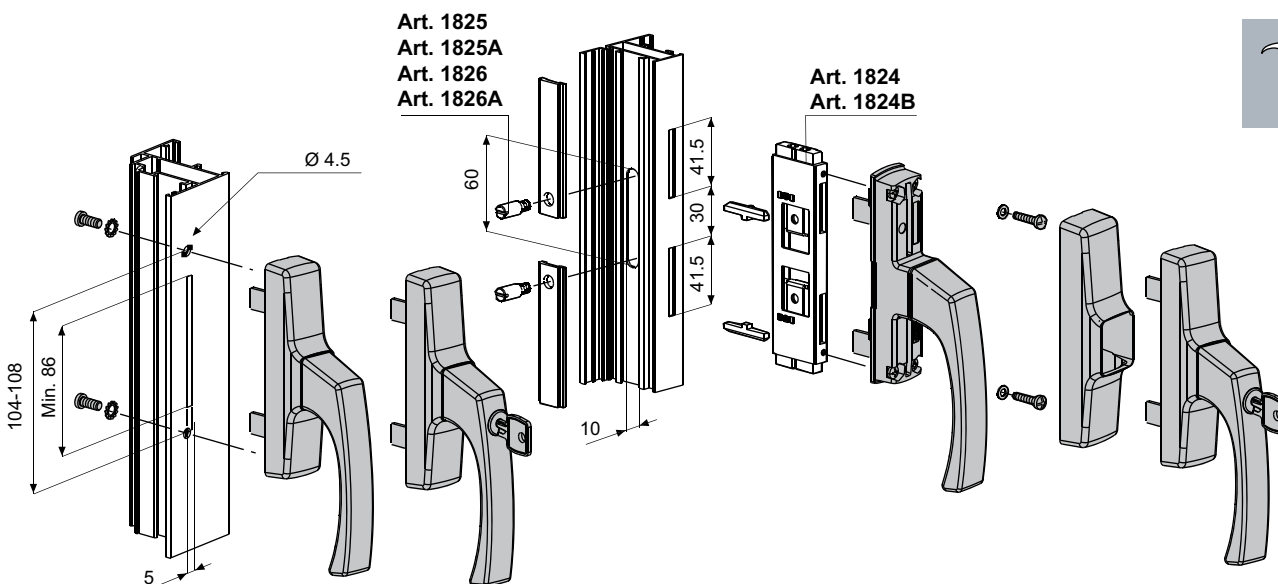
1833

| | | |
|------|---------|----|
| | | |
| 1833 | 104-108 | 10 |



1834

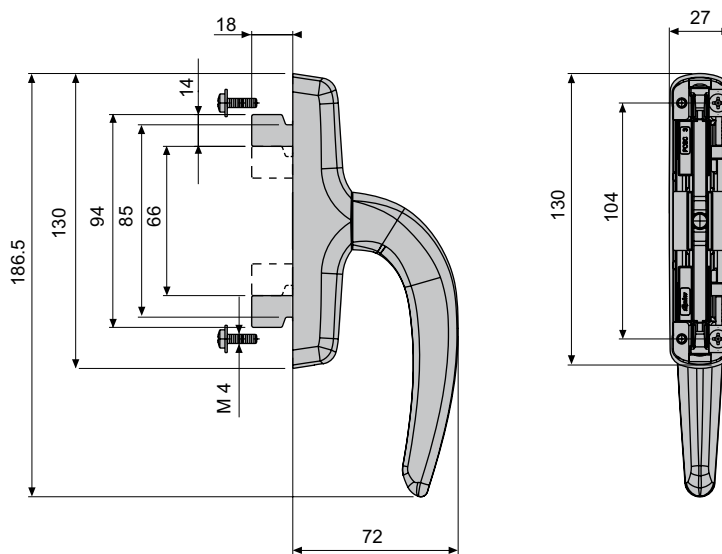
| | | |
|------|---------|----|
| | | |
| 1834 | 104-108 | 10 |



1840
1840i



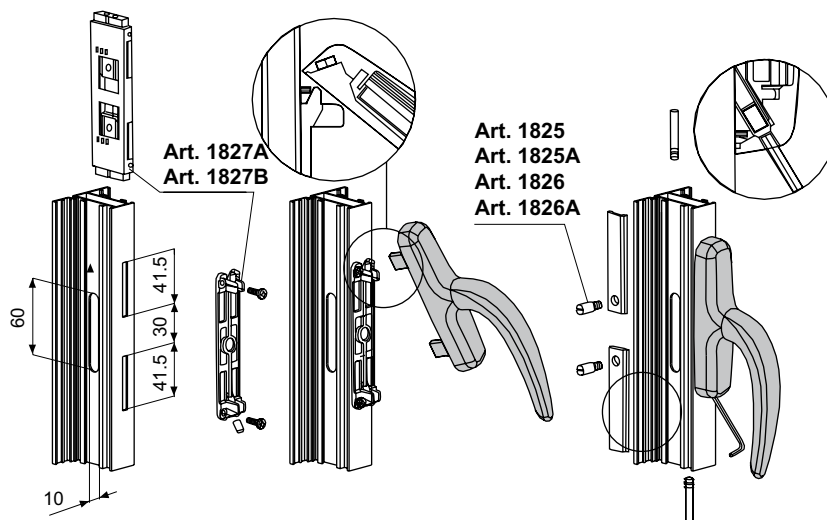
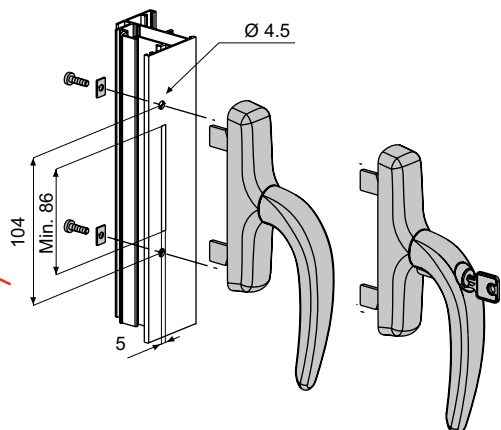
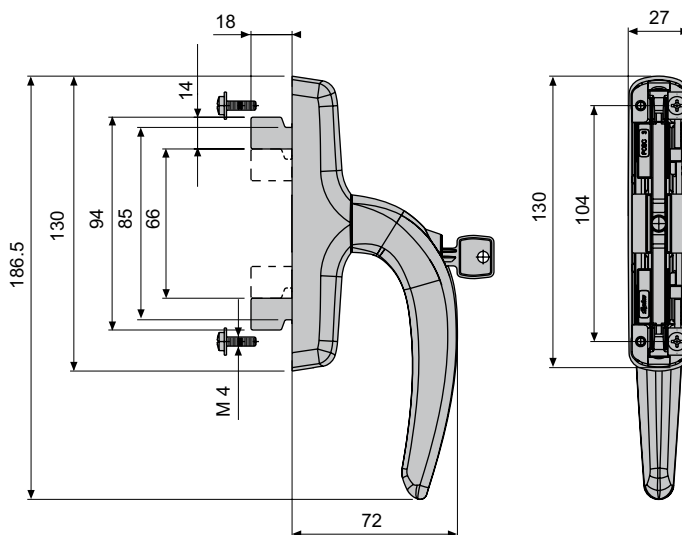
| | | |
|-------|-----|----|
| | | |
| 1840 | 104 | 10 |
| 1840i | | 50 |

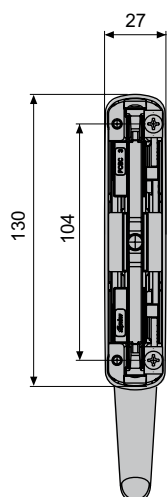
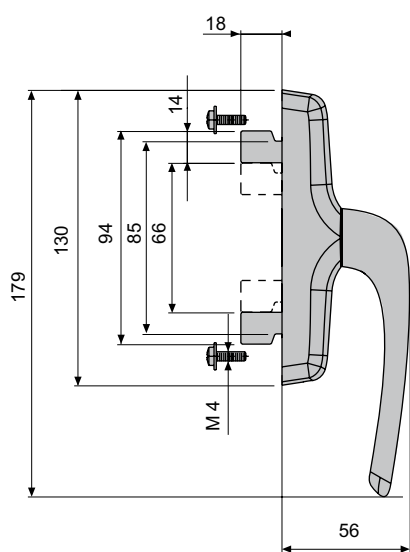


1841



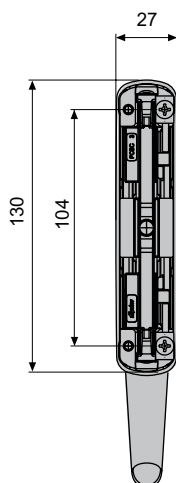
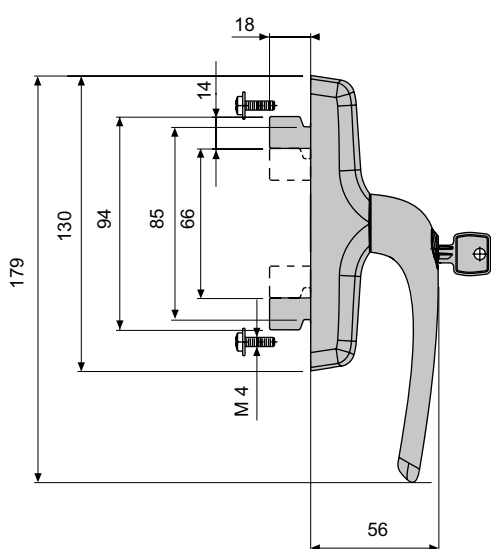
| | | |
|------|-----|----|
| | | |
| 1841 | 104 | 10 |





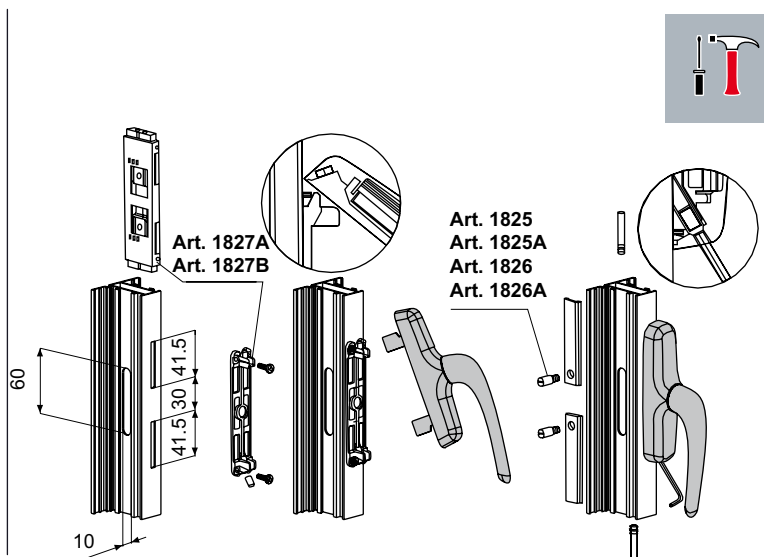
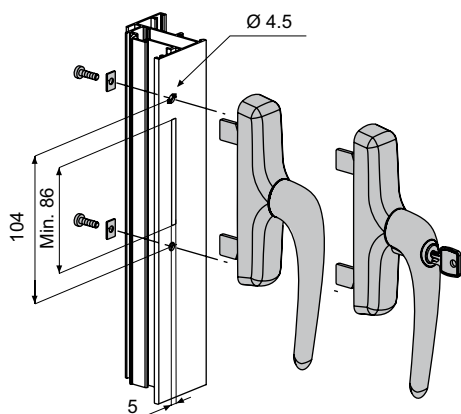
1842
1842i

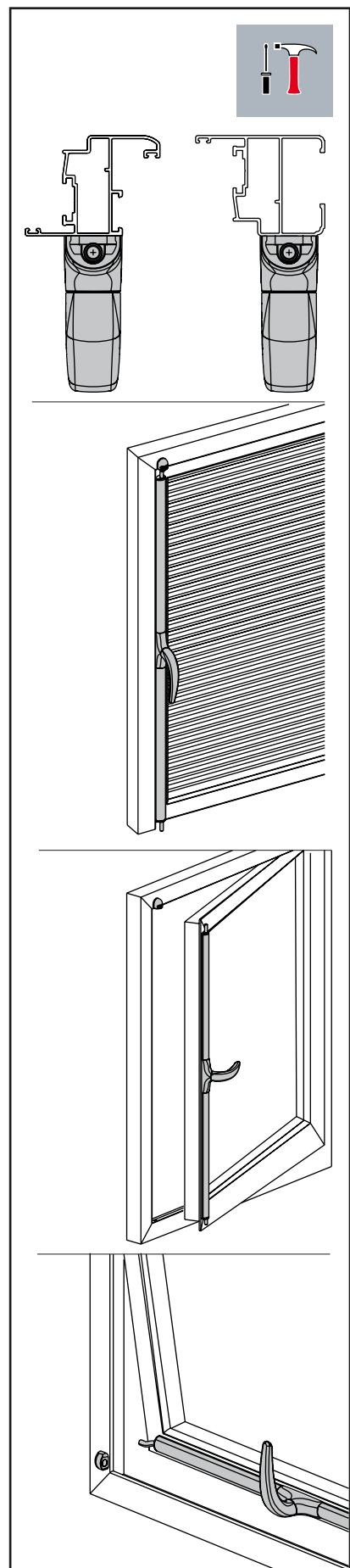
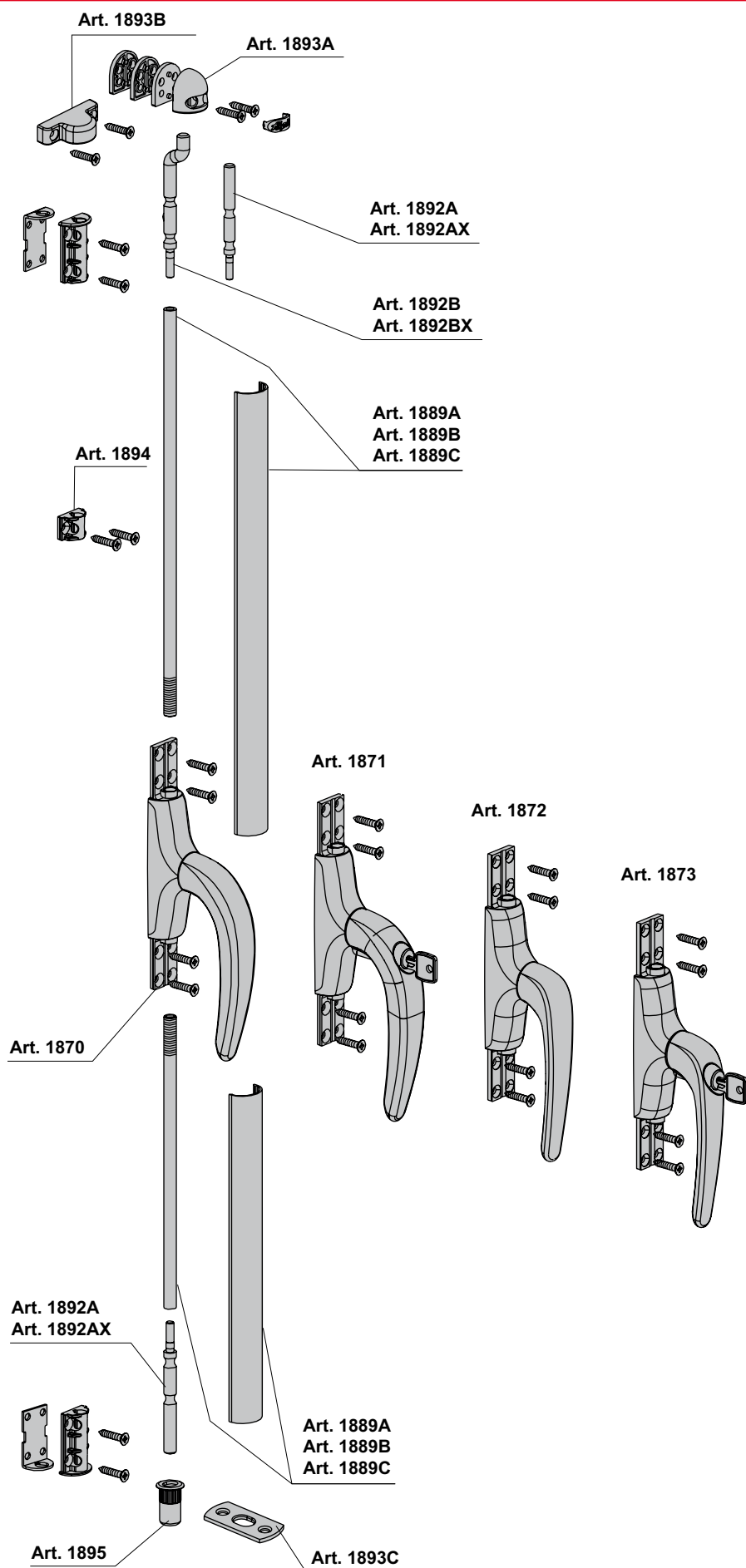
| | | |
|-------|-----|----|
| | | |
| 1842 | 104 | 10 |
| 1842i | | 50 |

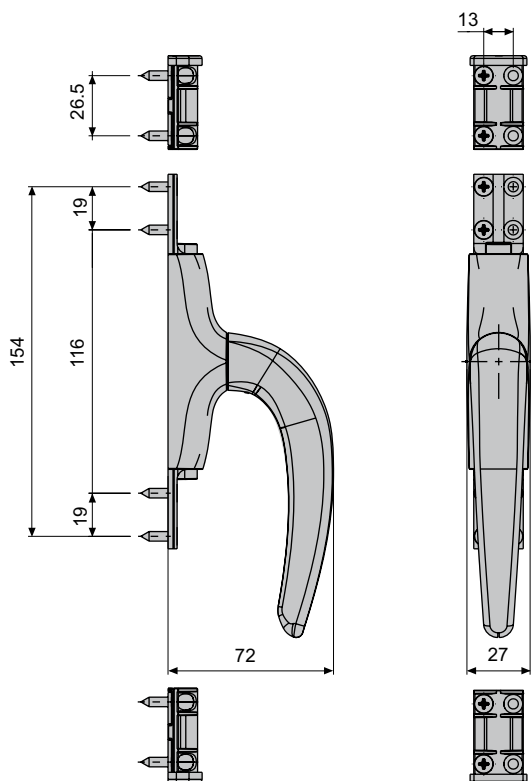


1843

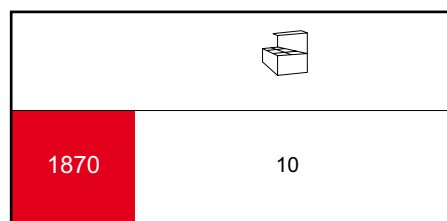
| | | |
|------|-----|----|
| | | |
| 1843 | 104 | 10 |





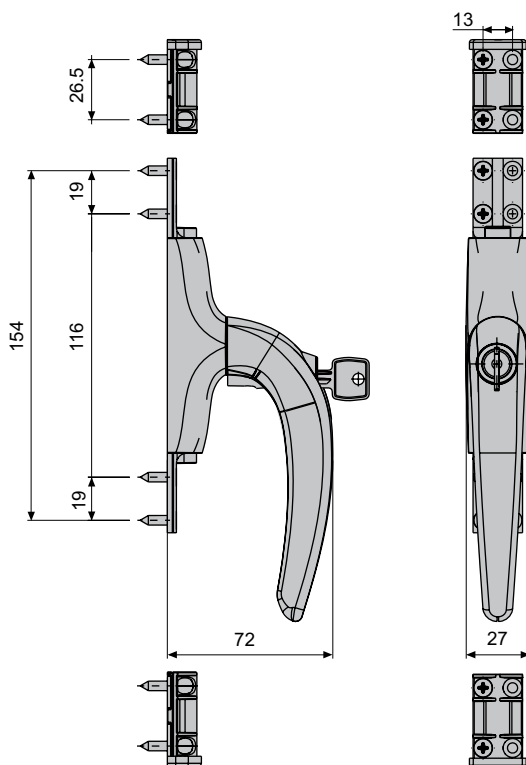


1870

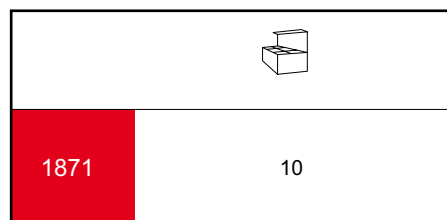


1870

10



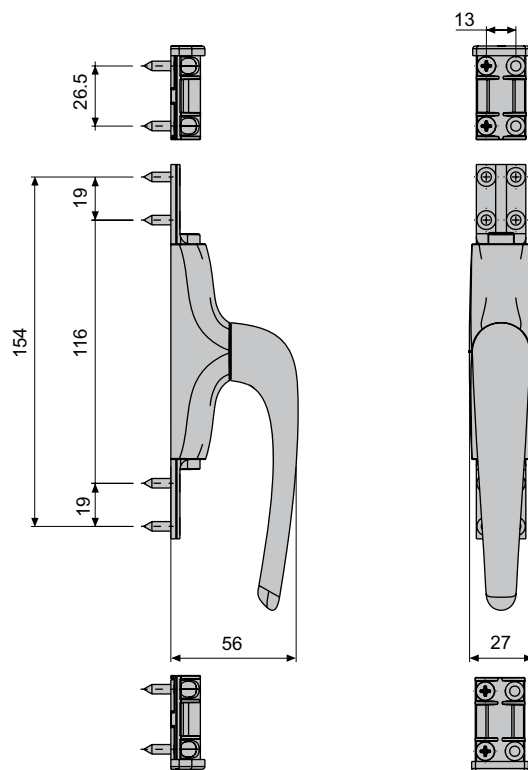
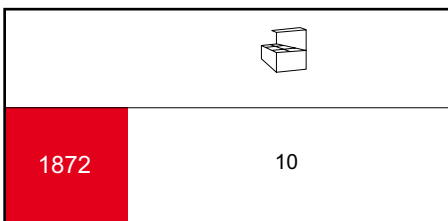
1871



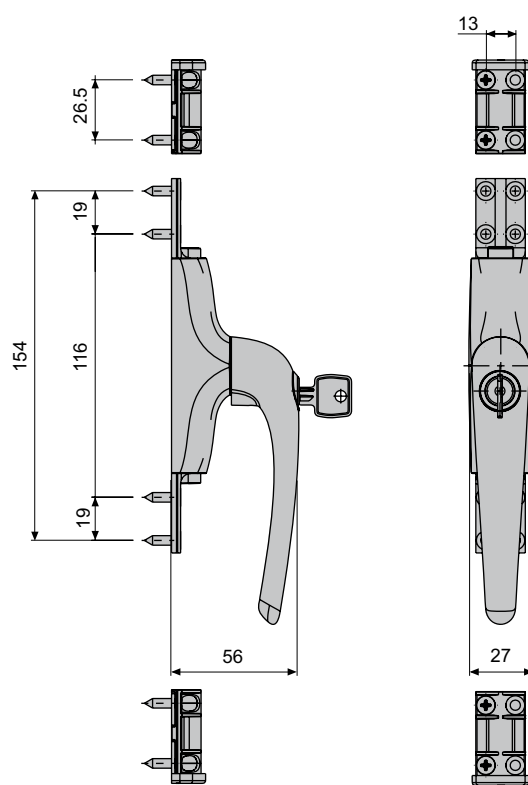
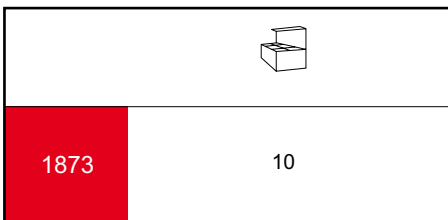
1871

10

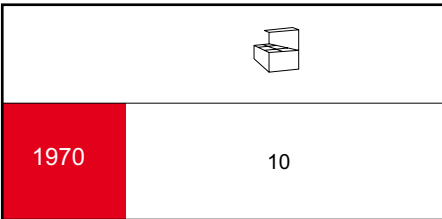
1872



1873



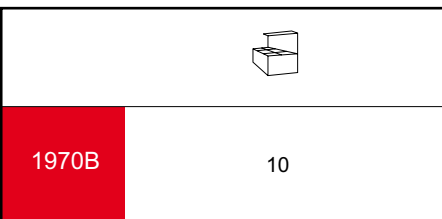
1970



1970

- Art.0511A
- Art.0531B
- Art.0541B
- Art.0641A
- Art.0641B
- Art.0641BZ
- Art.0761A
- Art.0761B
- Art.0762AZ
- Art.0762BZ
- Art.0791B
- Art.1841
- Art.1843
- Art.1871
- Art.1873

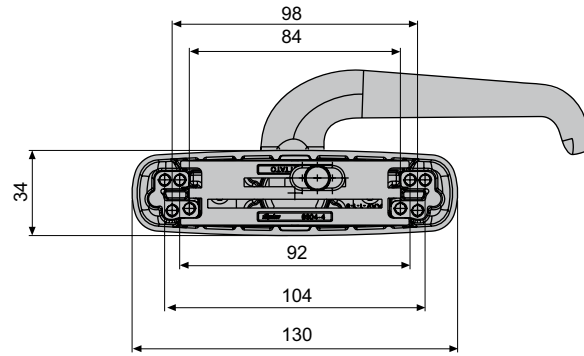
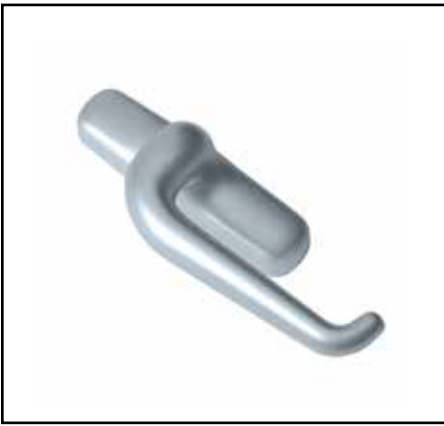
1970B



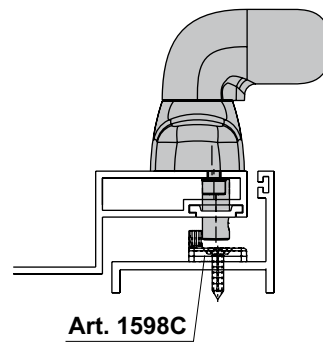
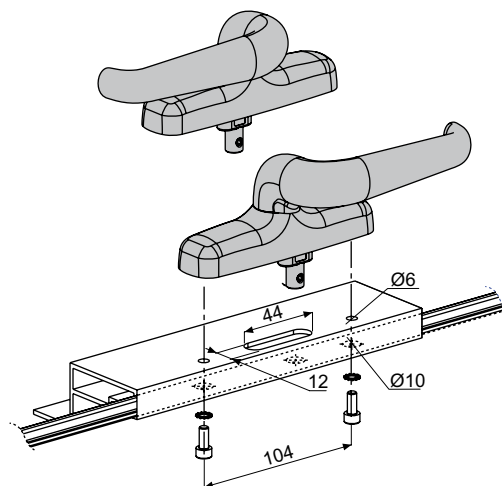
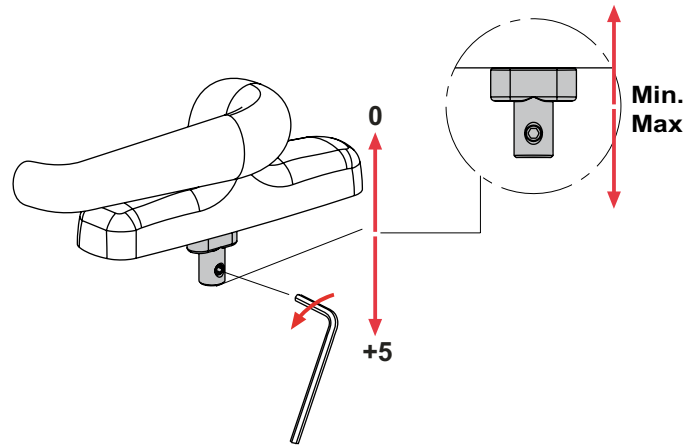
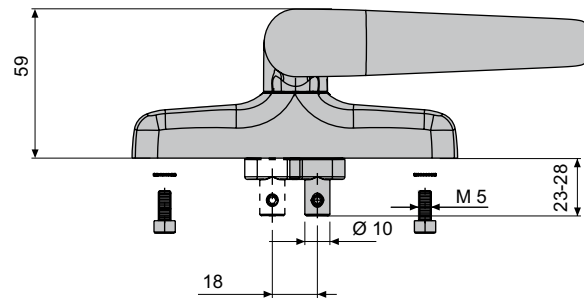
1970

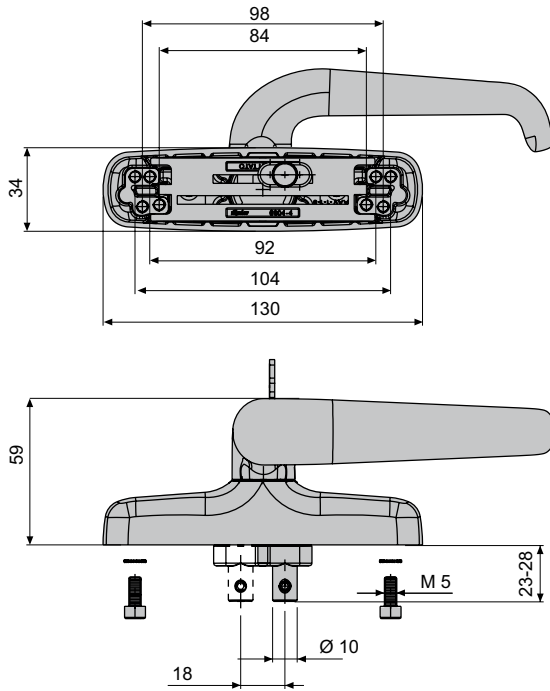
Art.1834

0770AD
0770AS



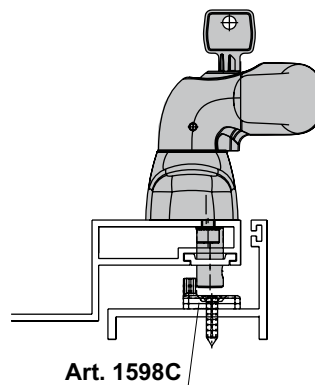
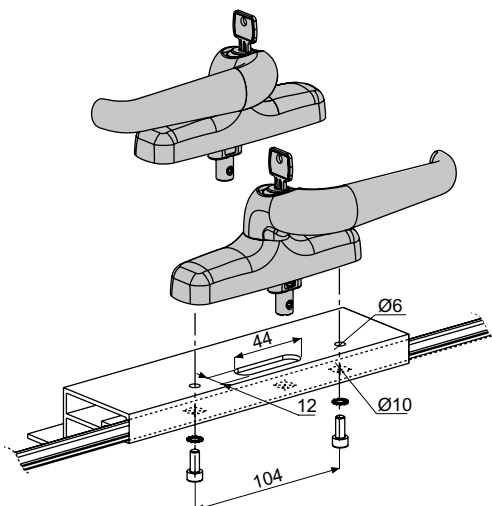
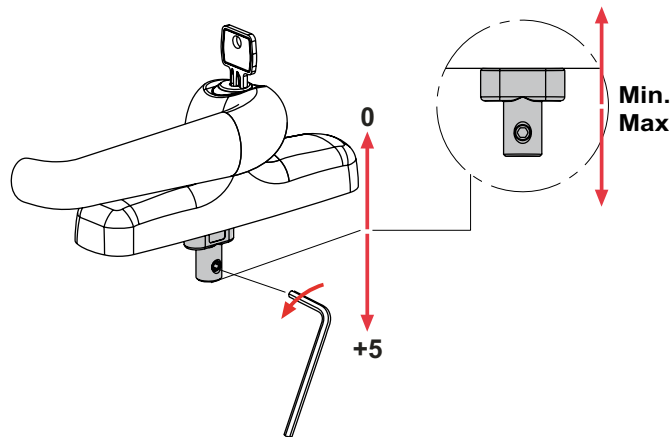
| | | | | |
|--------|--------------|--|---|--|
| | | | | |
| 0770AD | 84-92-98-104 | | 5 | |
| 0770AS | | | | |



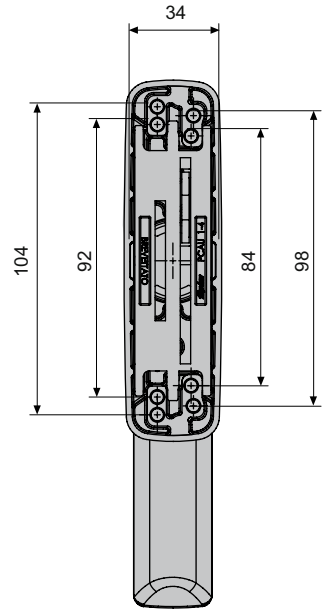
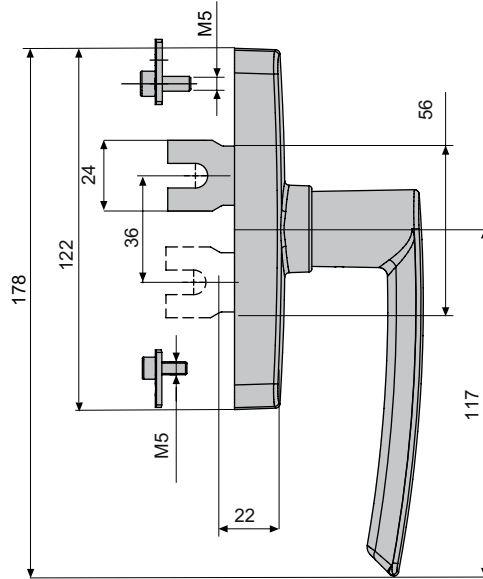


0771AD
0771AS

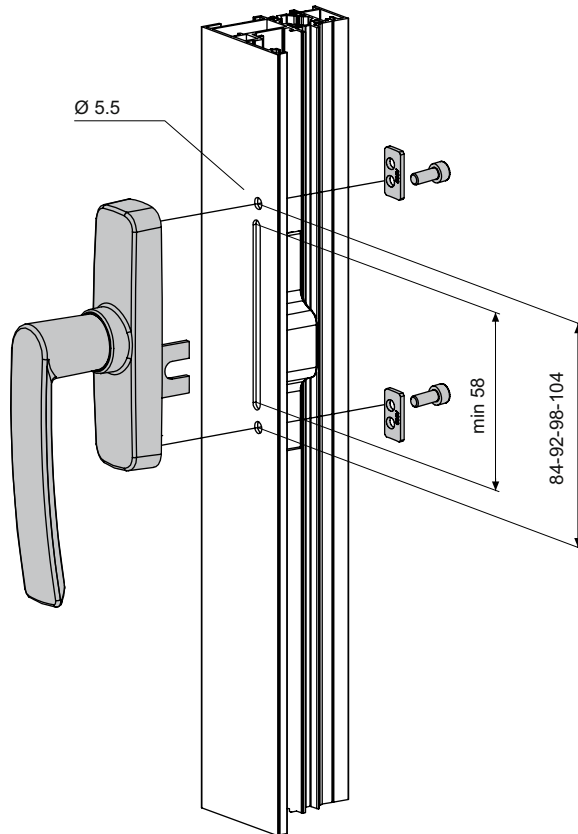
| | | | |
|--------|--------------|--|---|
| | | | |
| 0771AD | 84-92-98-104 | | 5 |
| 0771AS | | | |

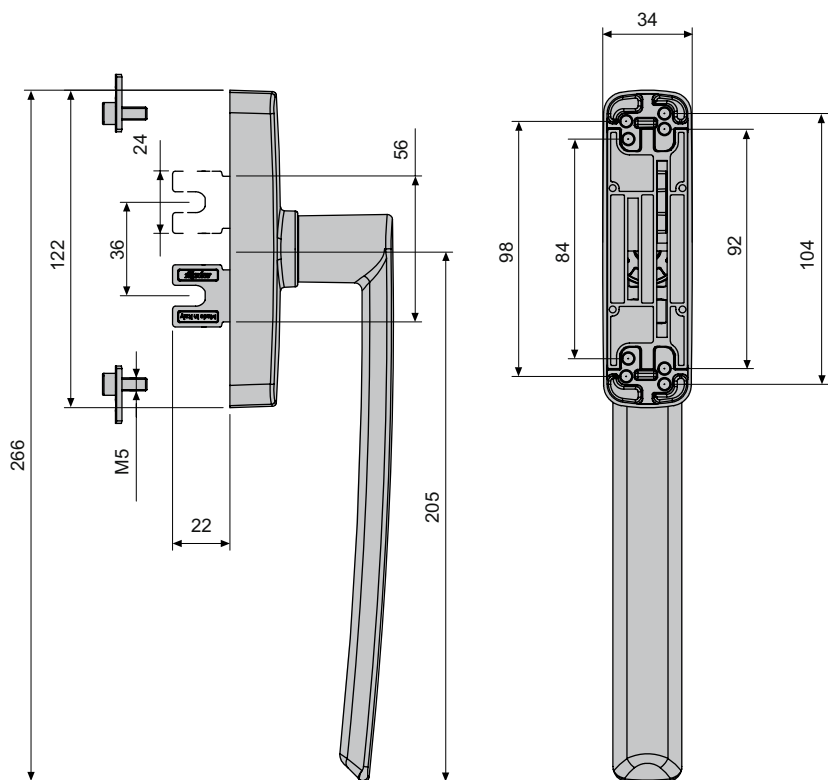


0530B
0530Bi



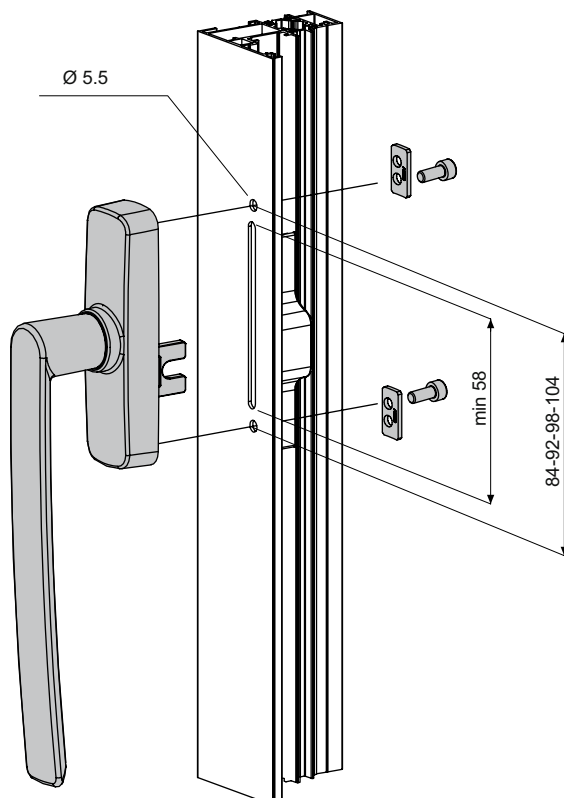
| | | |
|--------|--------------|----|
| | | |
| 0530B | 84-92-98-104 | 10 |
| 0530Bi | | 50 |



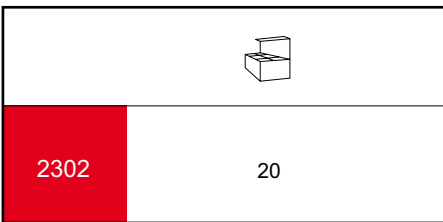
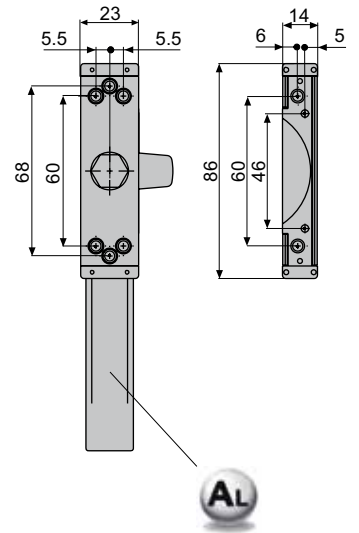
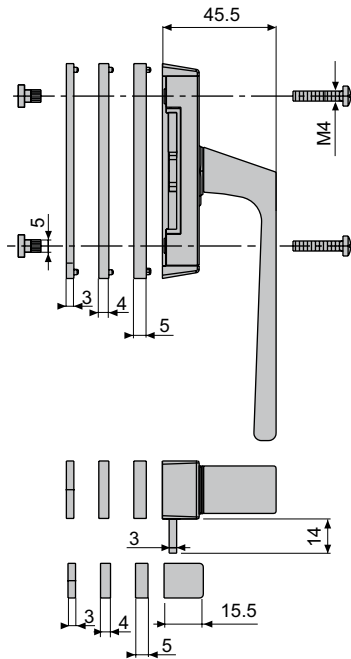


0534D

| | | |
|-------|-----|----|
| | | |
| 0534D | 104 | 10 |

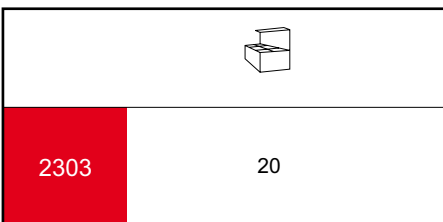
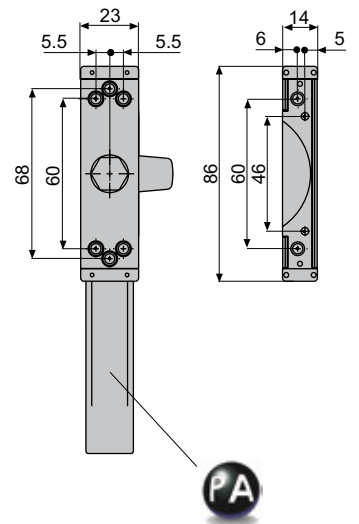
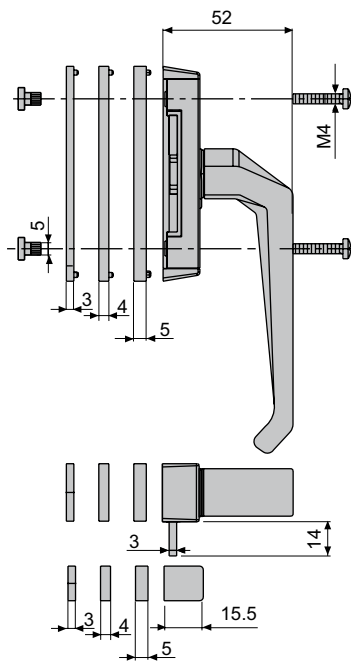


2302
2303



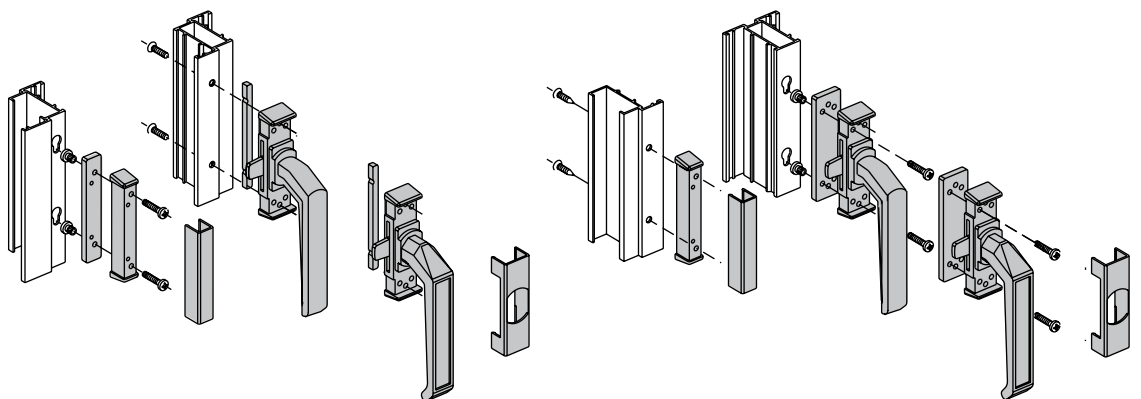
2302

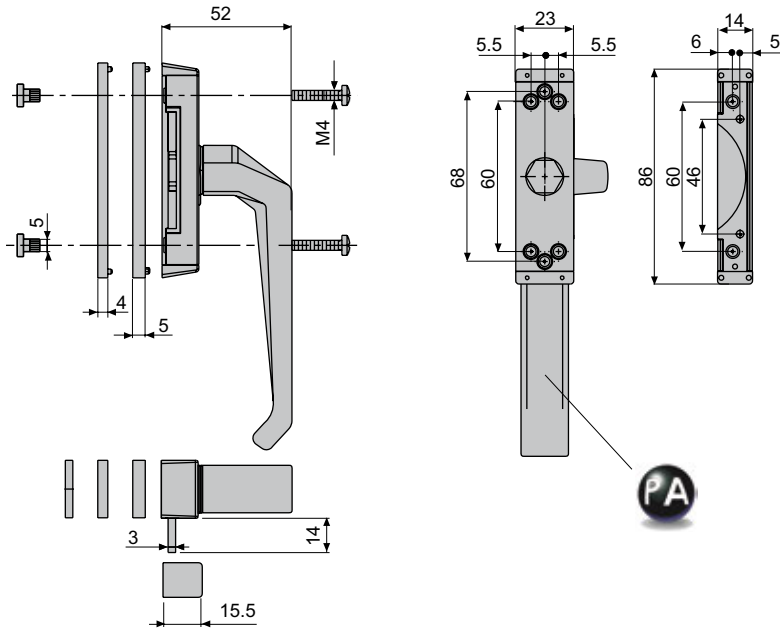
20




2303

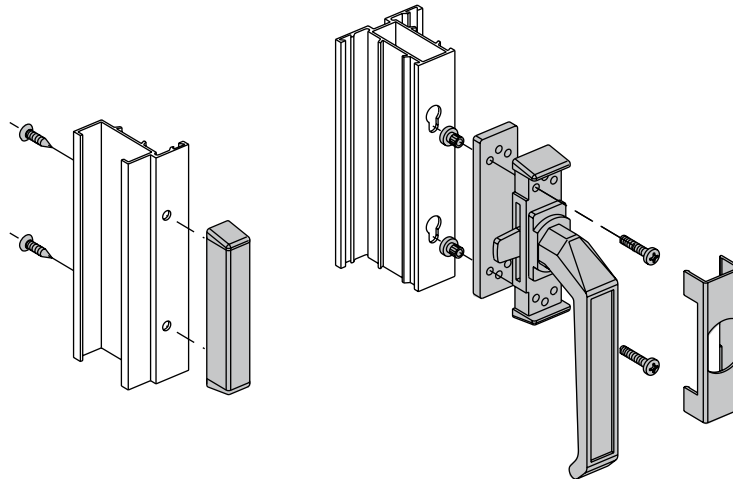
20



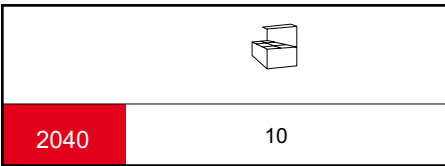


2312

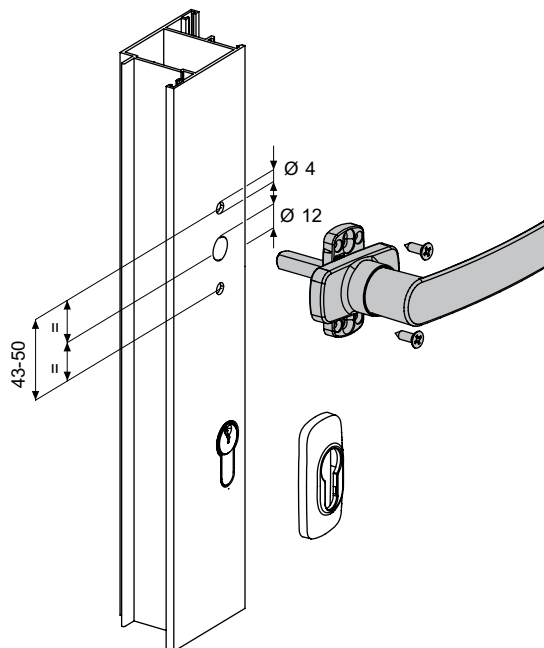
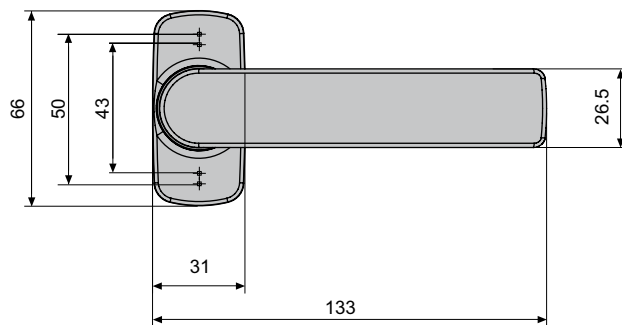
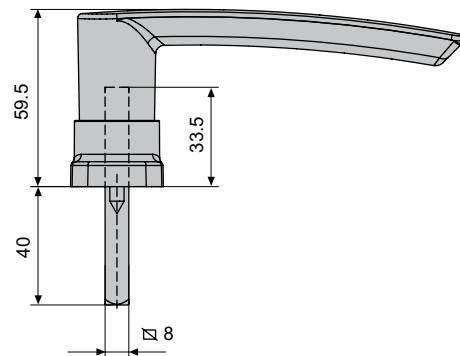
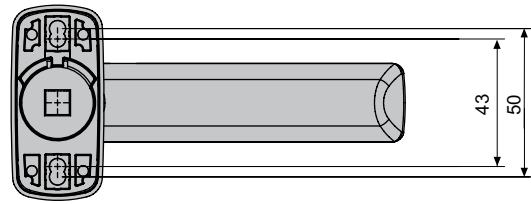
| | |
|---|----|
|  | |
| 2312 | 20 |

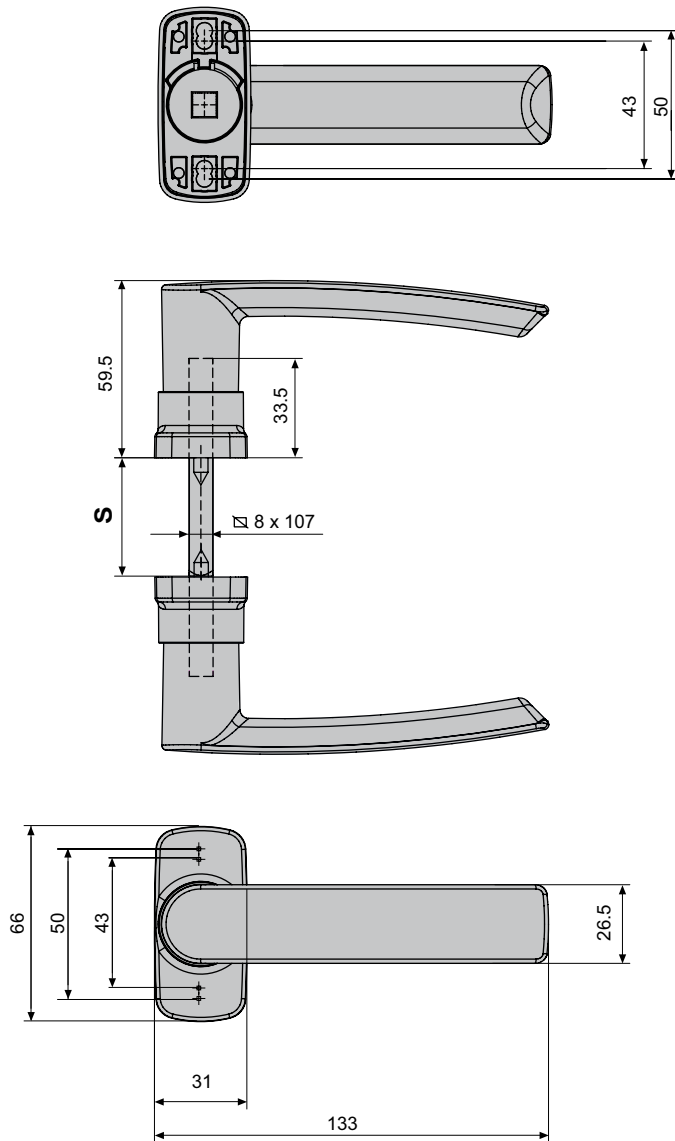


2040



| | | | |
|------|-------|-------|---------|
| 2040 | - | - | L = 40 |
| | 2101 | 2101E | L = 98 |
| | 2101A | 2101B | L = 116 |
| | 2101C | 2101D | L = 85 |

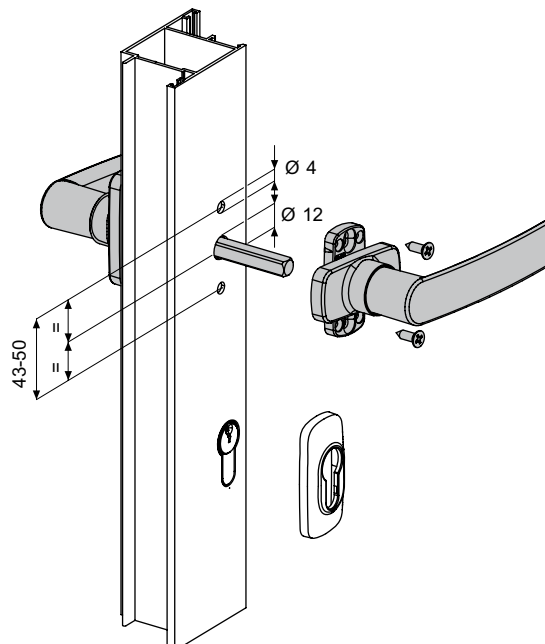




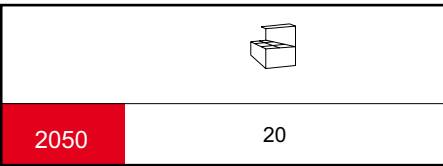
2041
2041i

| | |
|-------|----|
| | |
| 2041 | 10 |
| 2041i | 25 |

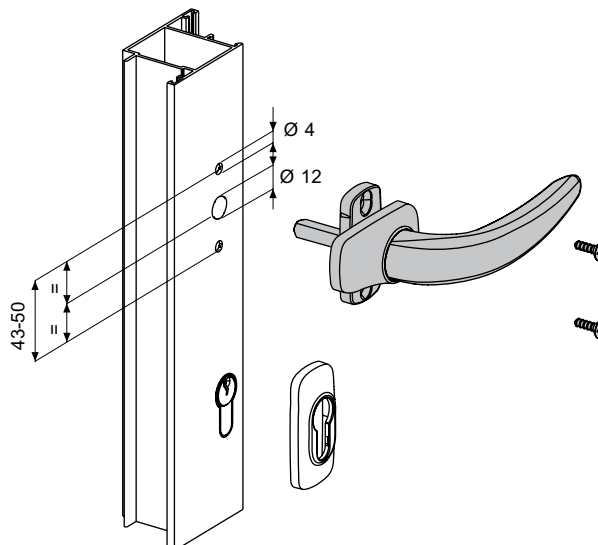
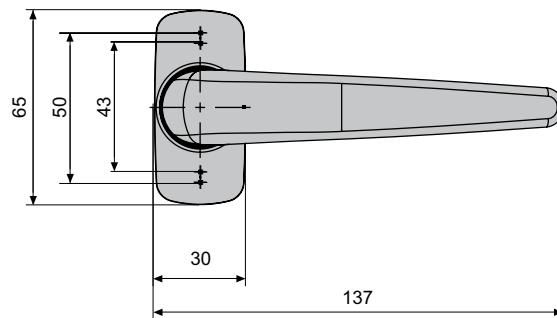
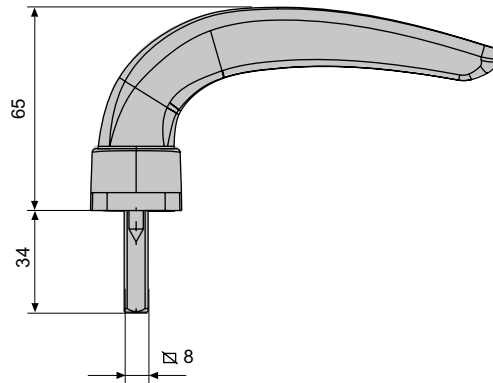
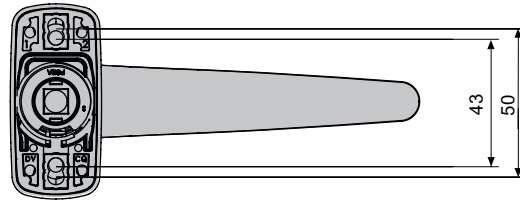
| | | | | |
|-------|-------|-------|-----------|--|
| | | | | |
| 2041 | - | - | S = 40-55 | |
| 2041i | 2101 | 2101E | S = 70-85 | |
| | 2101A | 2101B | S = 83-95 | |
| | 2101C | 2101D | S = 57-70 | |

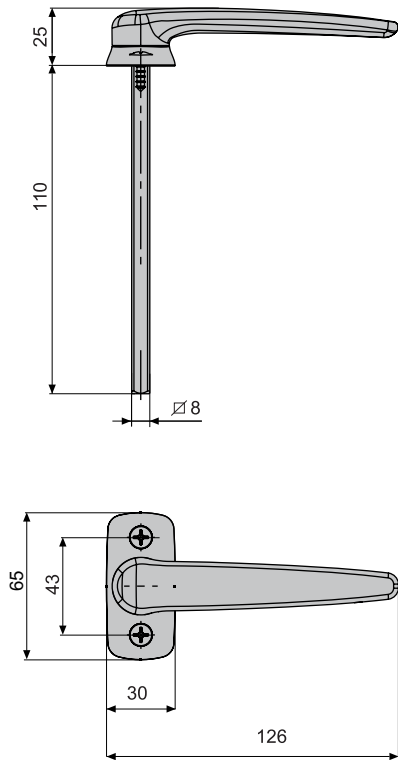


2050

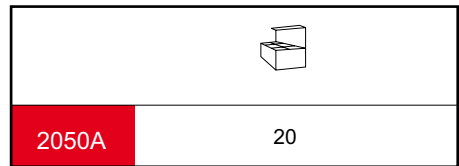


| | | | |
|------|-------|-------|---------|
| 2050 | | | |
| | - | - | L = 34 |
| | 2101 | 2101E | L = 92 |
| | 2101A | 2101B | L = 110 |
| | 2101C | 2101D | L = 79 |

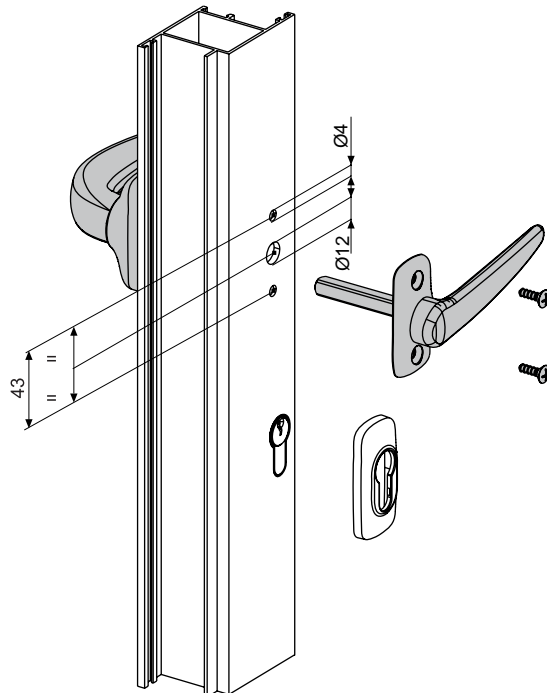




2050A




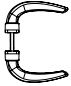


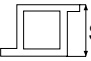
| | | | |
|-------|-------|-------|---------|
| 2050A | - | - | L = 110 |
| | 2101A | 2101B | L = 128 |

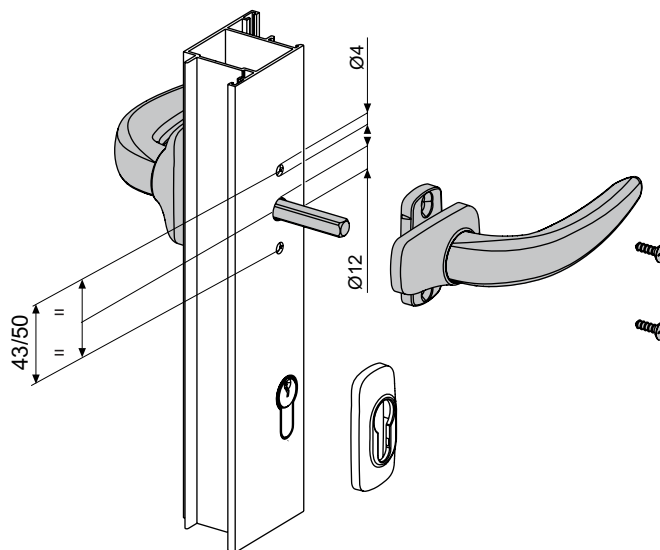
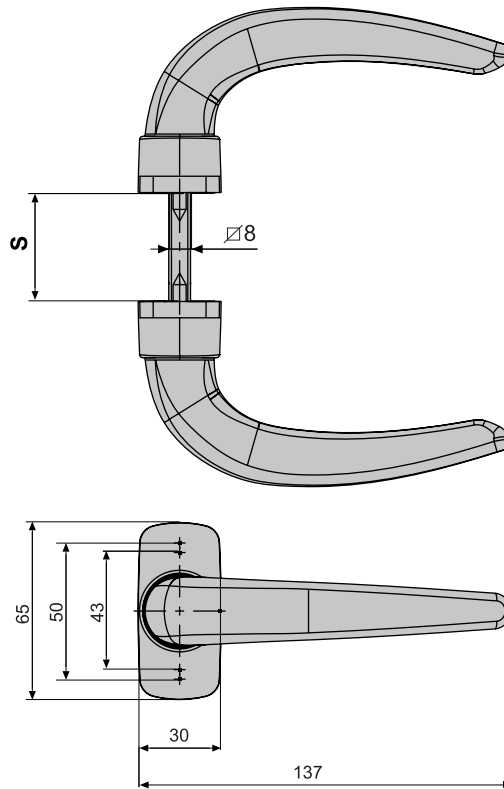


2051
 2051i

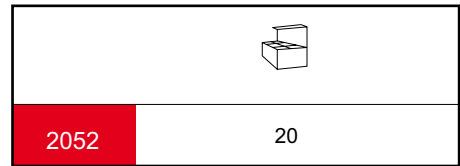
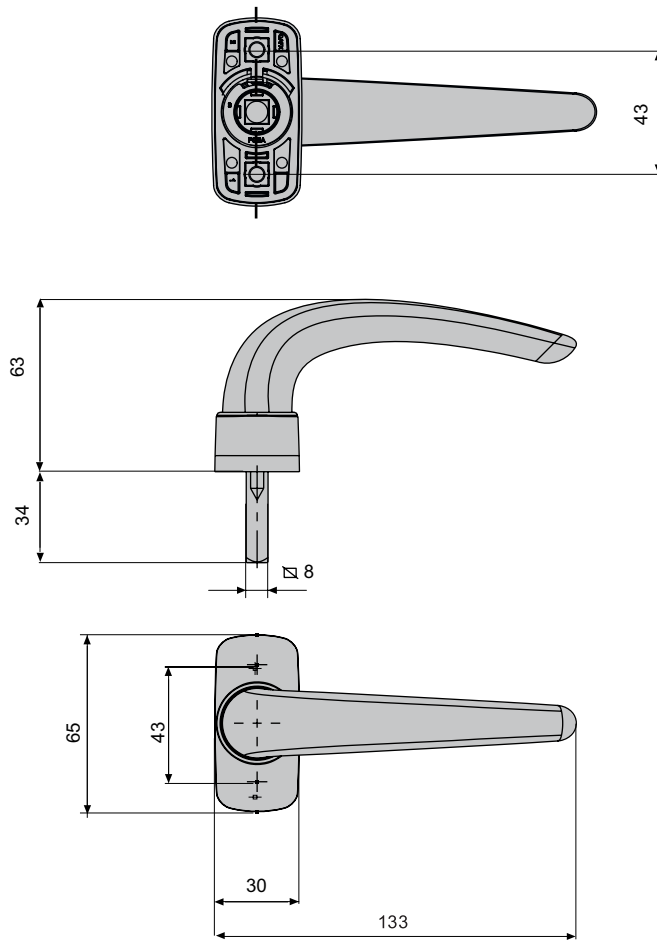


| | |
|-------|---|
| |  |
| 2051 | 10 |
| 2051i | 25 |

| | | | | | |
|--|-------|--|--|--|---|
|  | + |  |  |  | S |
| 2051 | - | - | - | S = 40-55 | |
| 2051i | 2101 | 2101E | - | S = 57-70 | |
| | 2101A | 2101B | - | S = 70-85 | |



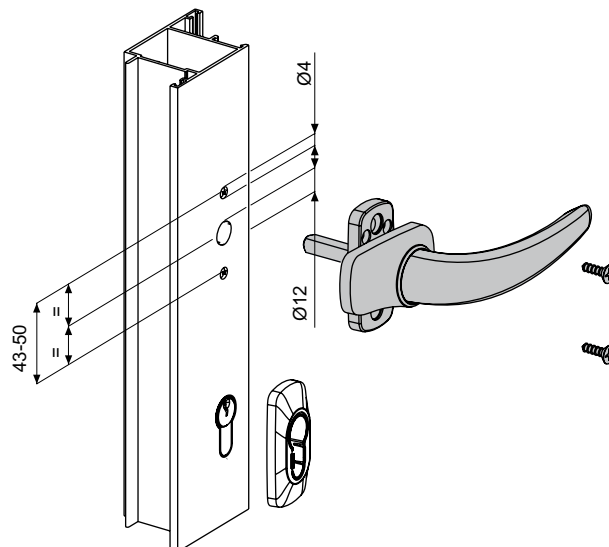
2052



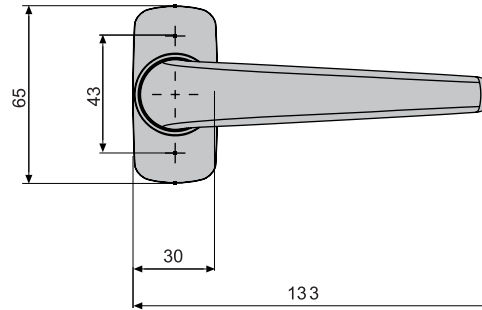
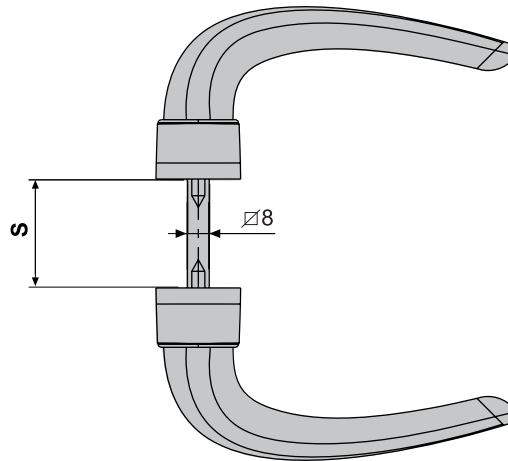
2052


20

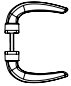


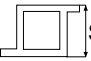
| | | | | |
|-------|-------|---------|--------|---|
| 2052 | | | | |
| | | + | | |
| | | | | L |
| | - | - | L = 34 | |
| | 2101 | 2101E | L = 92 | |
| 2101A | 2101B | L = 110 | | |
| 2101C | 2101D | L = 79 | | |

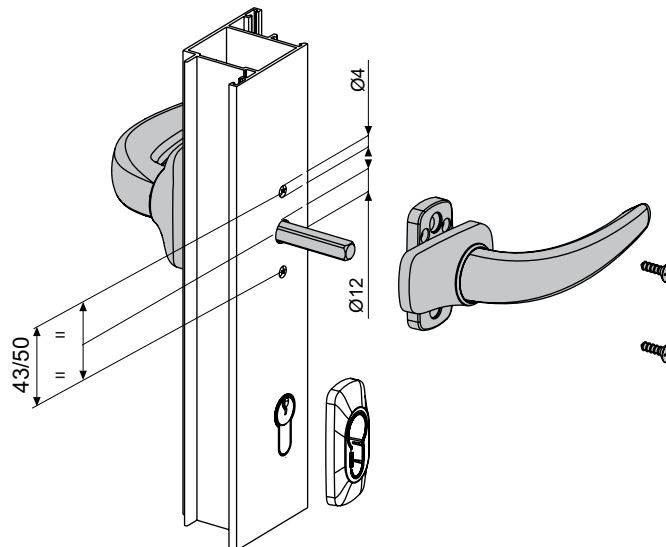


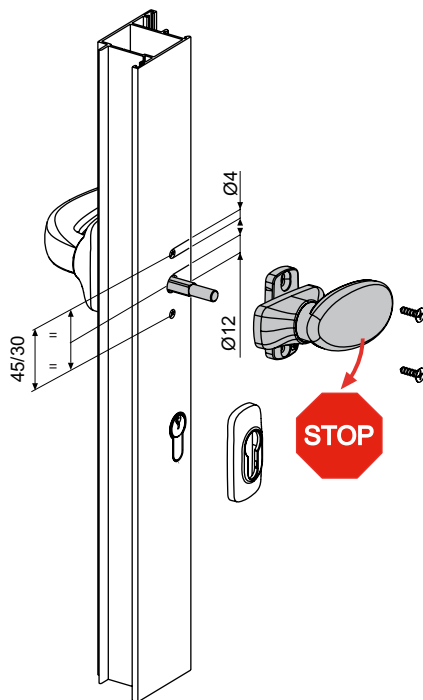
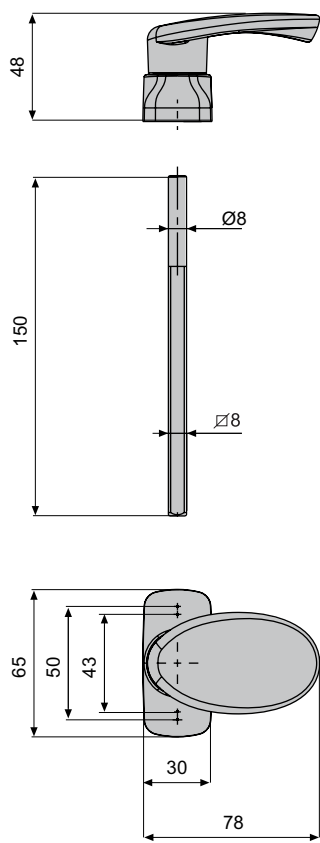
2053I
 2053IA



| | |
|--------|---|
| |  |
| 2053i | 25 |
| 2053iA | 20 |

| | | | | |
|--|-------|--|--|--|
|  | + |  |  |  S |
| 2053i | - | - | | S = 40-55 |
| 2053iA | 2101 | 2101E | | S = 57-70 |
| | 2101A | 2101B | | S = 70-85 |

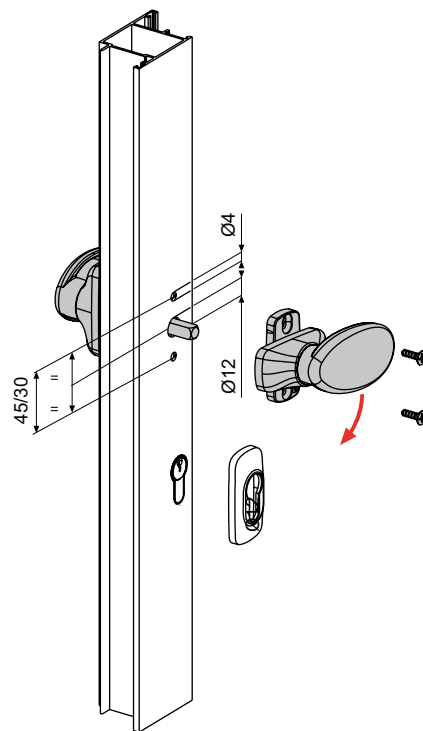
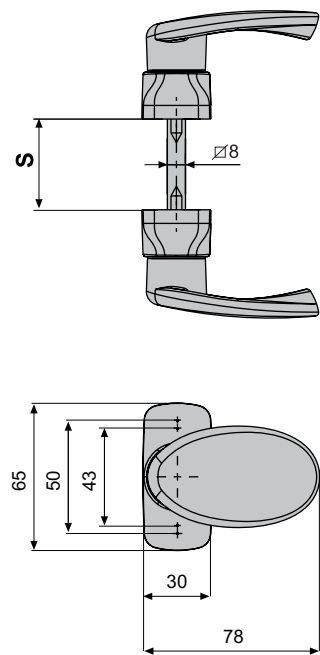




2060

| | |
|------|----|
| | |
| 2060 | 10 |

| | |
|------|-----------|
| | |
| 2060 | S = 40-70 |



2061

| | |
|------|----|
| | |
| 2061 | 10 |

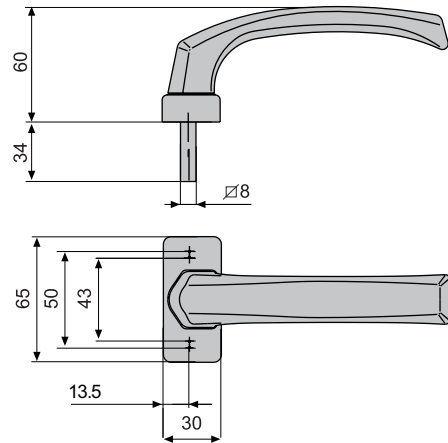
| | | | | |
|------|-------|-------|-----------|--|
| | + | | | |
| 2061 | - | - | S = 40-55 | |
| | 2101 | 2101E | S = 57-70 | |
| | 2101A | 2101B | S = 70-85 | |

2088



2088

20



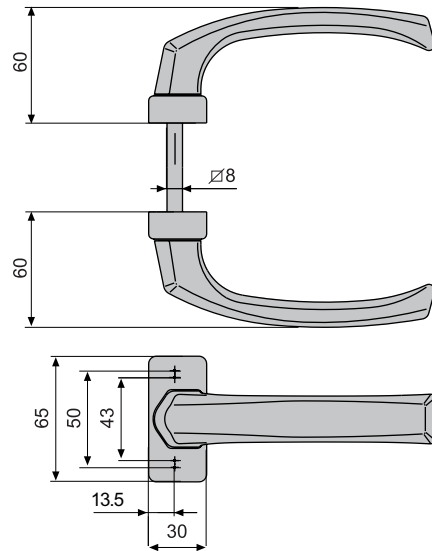
| | | | |
|------|-------|-------|---------|
| 2088 | | | |
| | - | - | L = 34 |
| | 2101 | 2101E | L = 92 |
| | 2101A | 2101B | L = 110 |
| | 2101C | 2101D | L = 79 |

2089

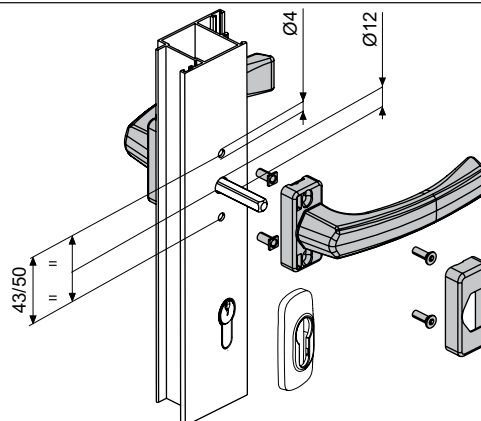


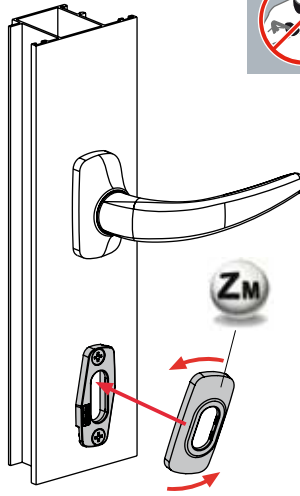
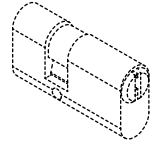
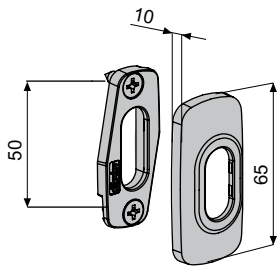
2089

10

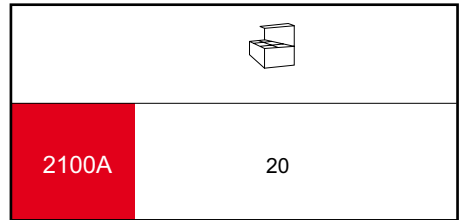


| | | | |
|------|-------|-------|-----------|
| 2089 | | | |
| | - | - | S = 40-55 |
| | 2101 | 2101E | S = 57-70 |
| | 2101A | 2101B | S = 70-85 |



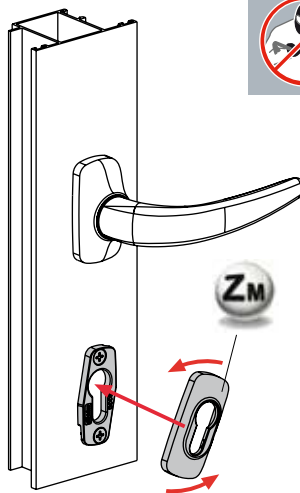
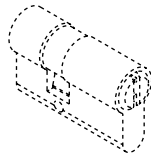
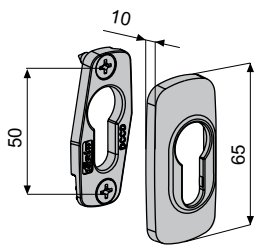


2100A

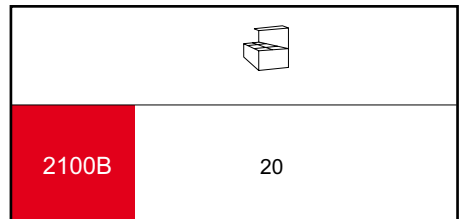


2100A

20

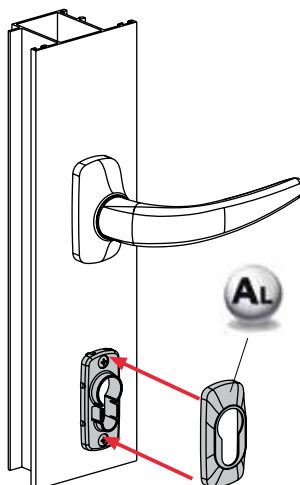
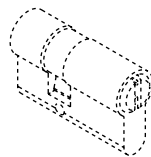
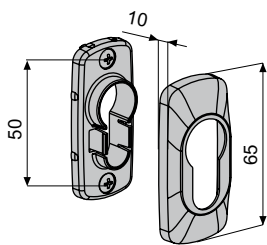


2100B

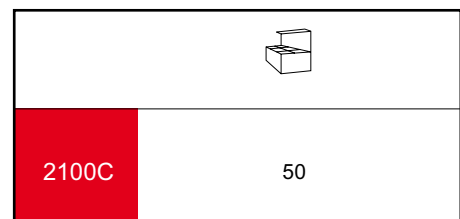


2100B

20



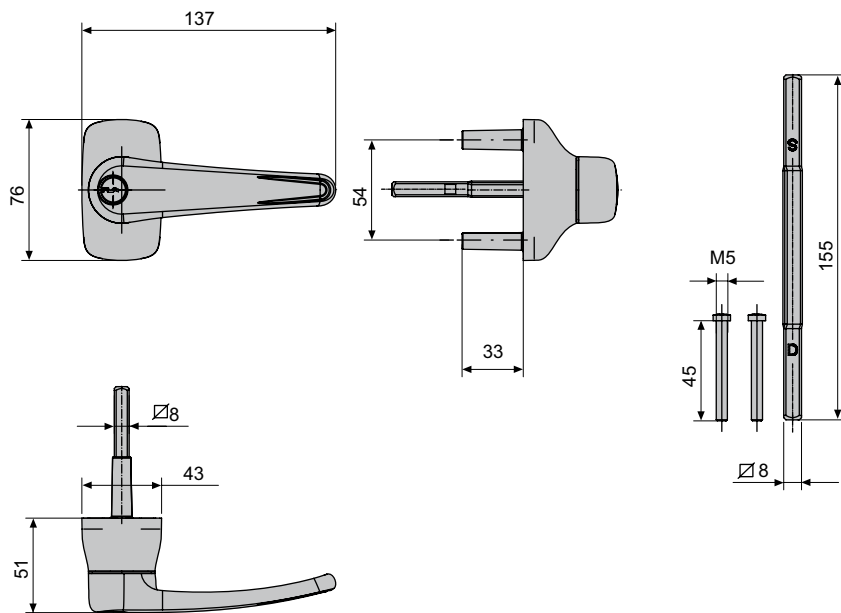
2100C



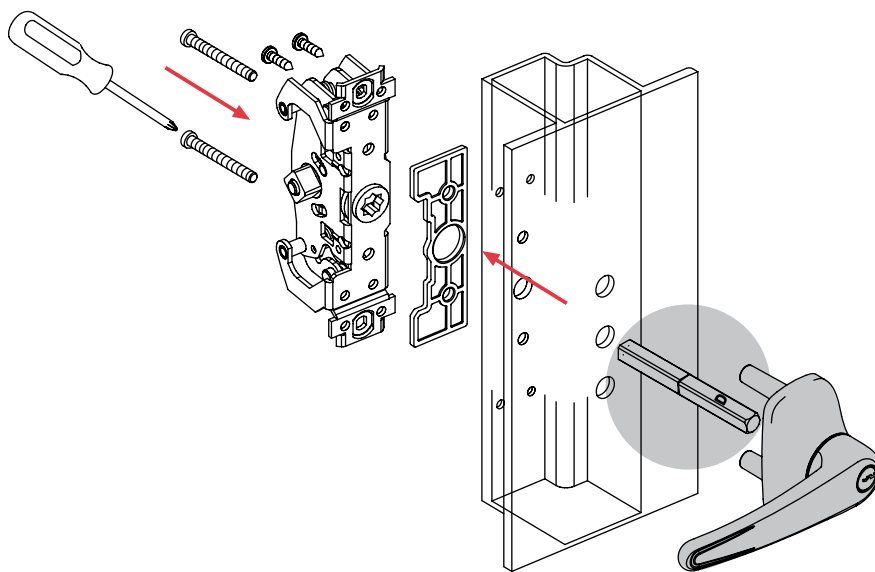
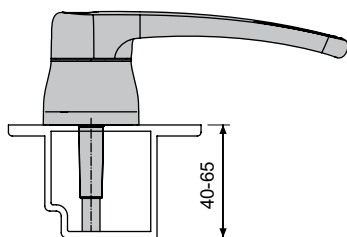
2100C

50

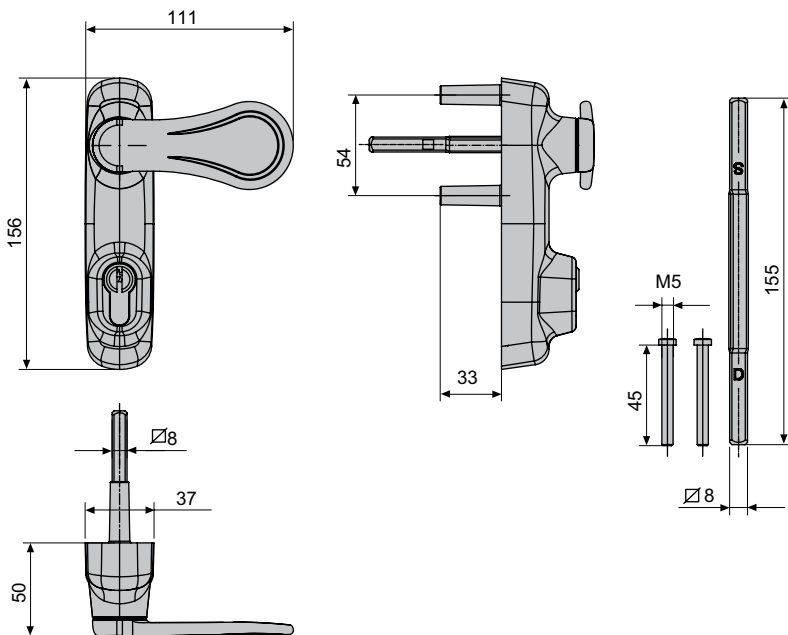
8567i



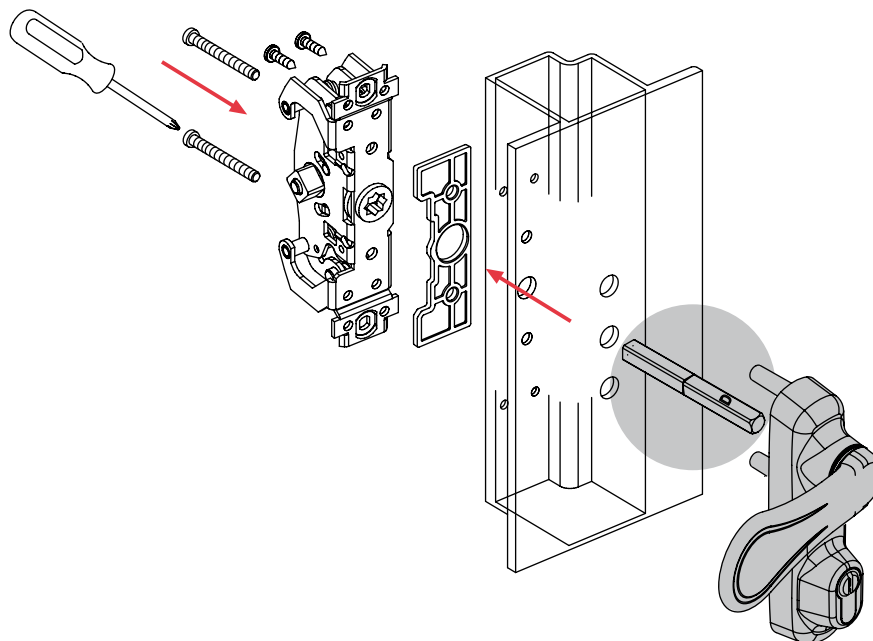
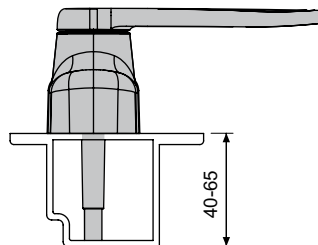
| | | |
|-------|--|----|
| | | |
| 8567i | | 10 |



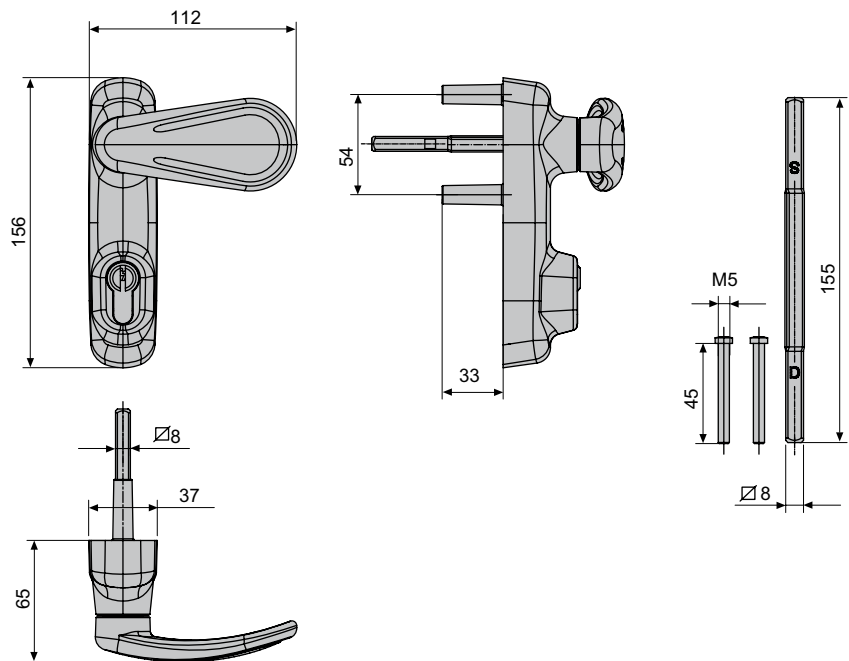
8569I



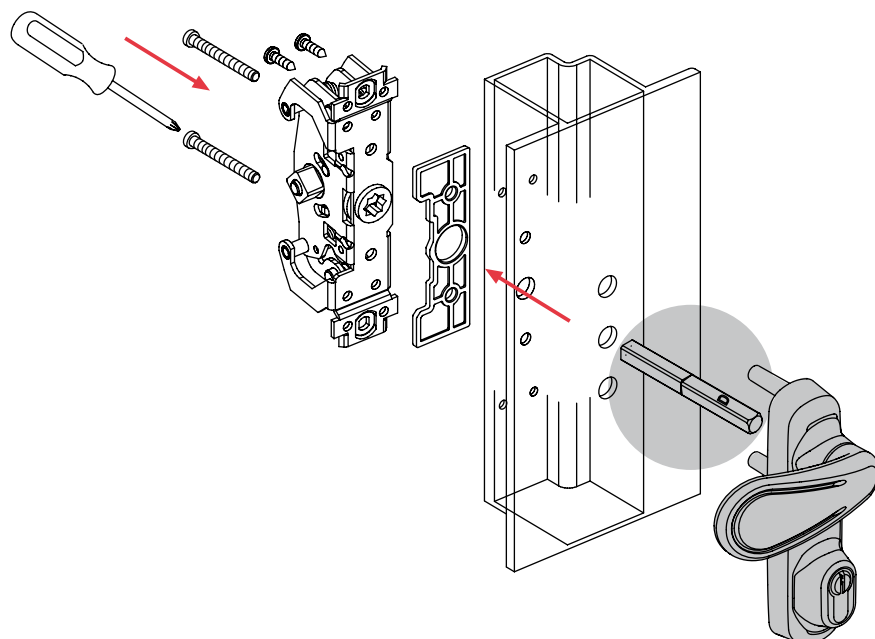
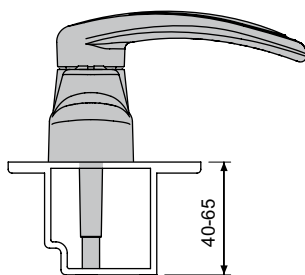
| | | |
|-------|--|----|
| | | |
| 8569I | | 10 |

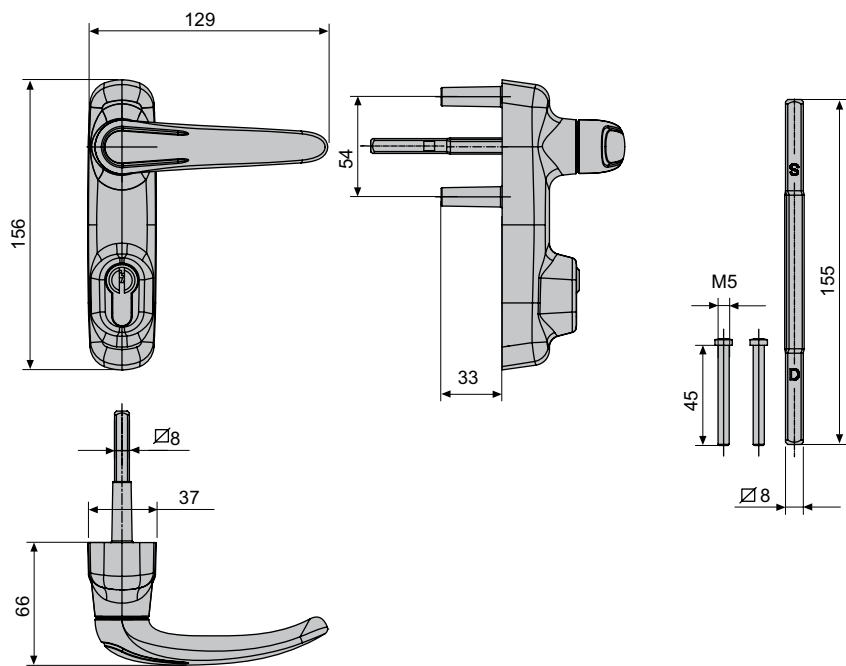


8570
 8570i
 8572
 8572i
 8574



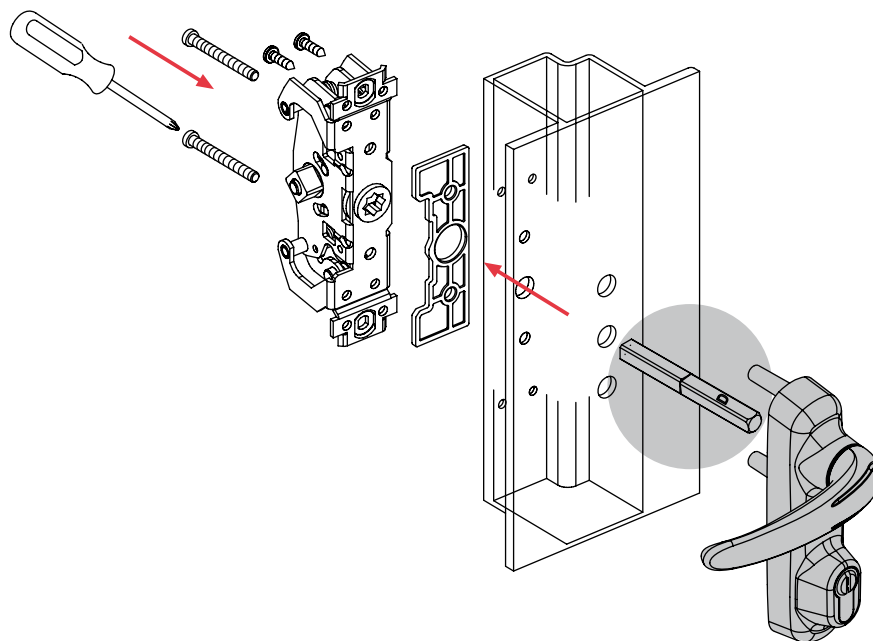
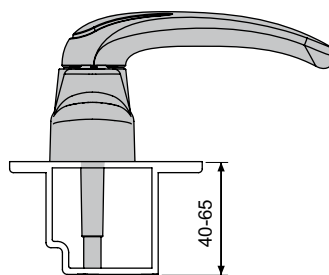
| | | |
|-------|--|----|
| | | |
| 8570 | | 1 |
| 8570i | | 10 |
| 8572 | | 1 |
| 8572i | | 10 |
| 8574 | | 1 |



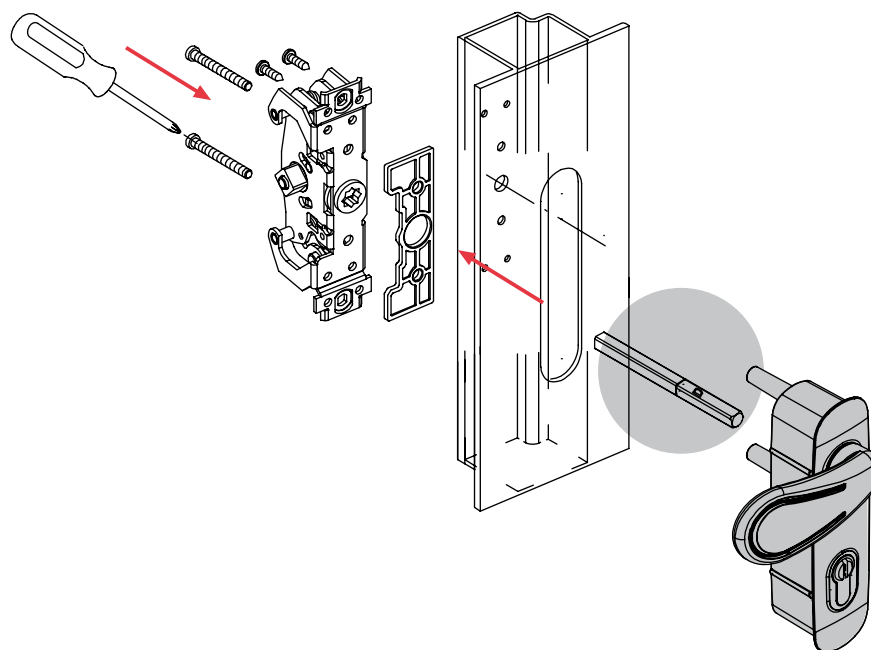
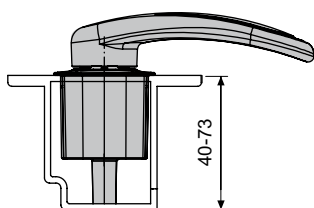
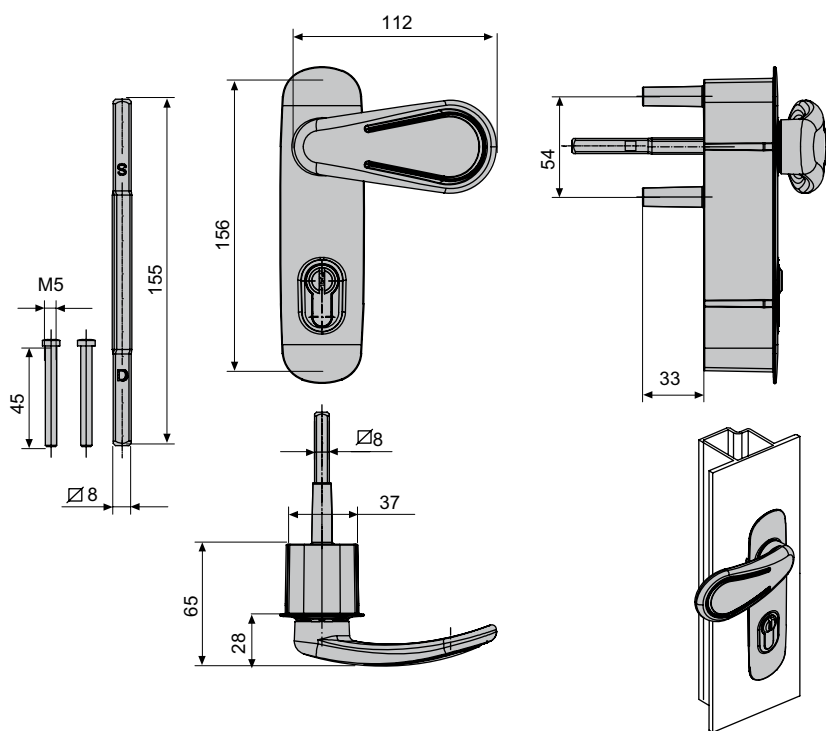
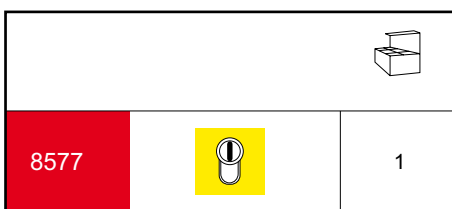


8571
8571i
8573
8573i
8575

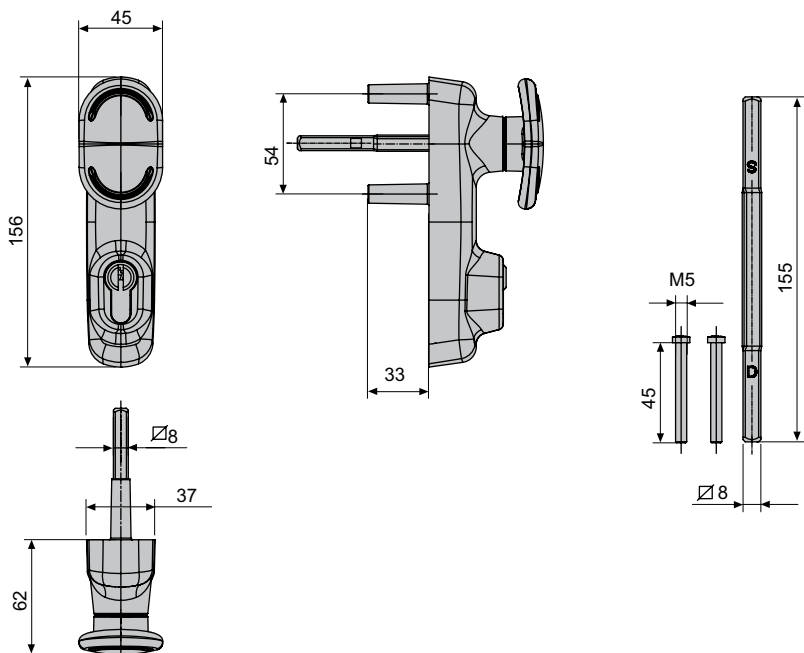
| 8571 | | 1 |
|-------|--|----|
| 8571i | | 10 |
| 8573 | | 1 |
| 8573i | | 10 |
| 8575 | | 1 |



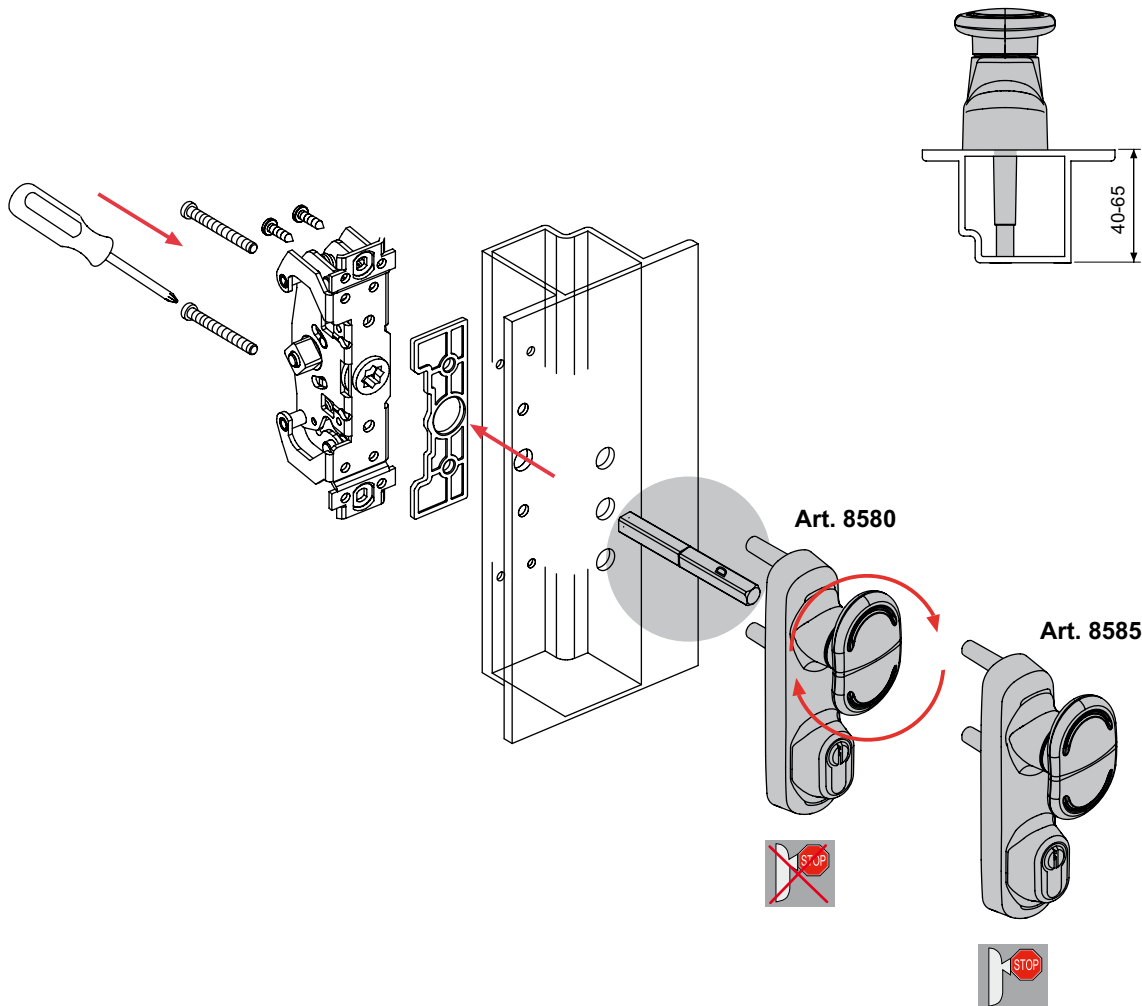
8577



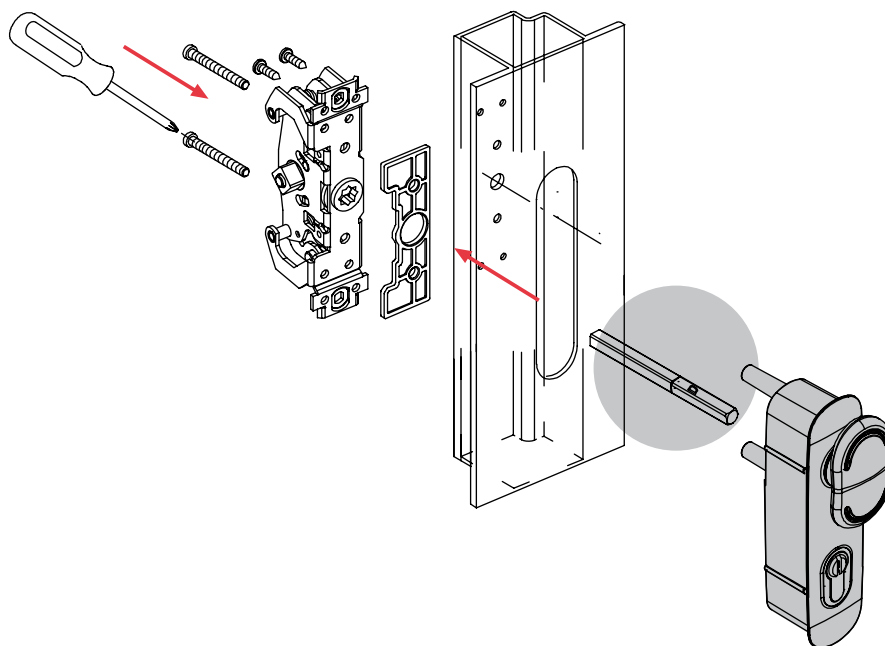
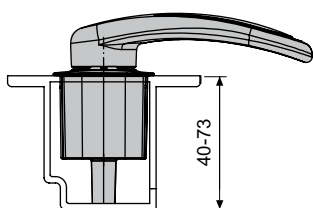
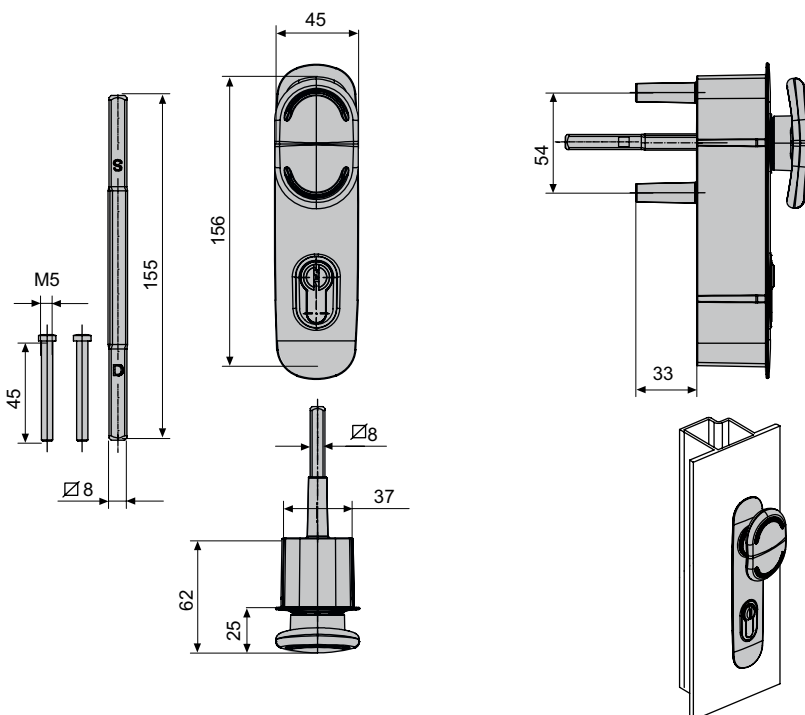
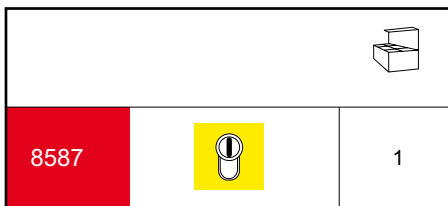
8580
8585

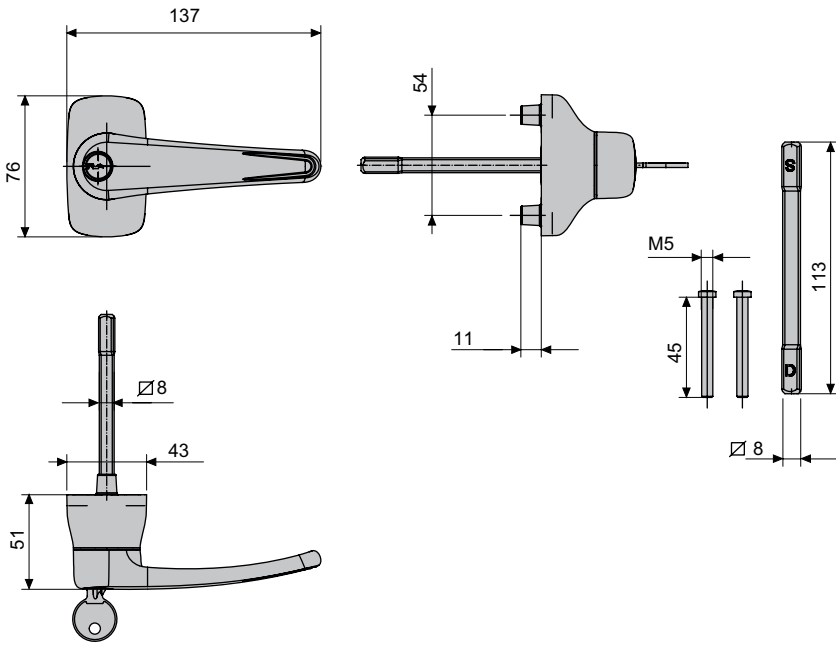


| | | | | |
|------|--|--|---|--|
| | | | | |
| 8580 | | | 1 | |
| 8585 | | | 1 | |



8587





8567A

